

0CNP5-M78700EN

Contents

0CNP5-M78700

| Fig. No. | Fig. Name |
|--------------------------|-----------------------|
| MC920-PQ Series | |
| PULLEY & TENSION SECTION | |
| 1. | TENSION ARM |
| 2. | BELT PULLEY |
| FRAME SECTION | |
| 3. | MAIN BODY FRAME |
| TRAVELING SECTION (1) | |
| 4. | IDLER |
| 5. | TRACK ROLLER |
| CONTROL SECTION | |
| 6. | STEERING WHEEL |
| 7. | RUNNING CLUTCH LEVER |
| 8. | BRAKE LEVER |
| 9. | MAIN GEARSHIFT |
| 10. | SIDE CLUTCH LEVER |
| PLATFORM CARRIER SECTION | |
| 11. | OIL PRESSURE PUMP |
| 12. | OIL PRESSURE CYLINDER |
| 13. | TRANSPORTATION STAND |
| 14. | TRANSPORTATION STAND |

| Fig. No. | Fig. Name |
|-------------------------------------|-------------------------|
| TOOLS, ACCESSORIES & LABELS SECTION | |
| 15. | LABELS |
| 16. | TOOLS & ACCESSORIES |
| TRAVELING SECTION (2) | |
| 17. | MISSION CASE |
| 18. | MAIN AXIS |
| 19. | MISSION AXIS B |
| 20. | SIDE CLUTCH AXIS |
| 21. | AXLE |
| 22. | BRAKE |
| 23. | SIDE CLUTCH |
| 24. | MAIN CHANGING THE SPEED |
| MC930-PQ Series | |
| PULLEY & TENSION SECTION | |
| 25. | TENSION ARM |
| 26. | BELT PULLEY |
| FRAME SECTION | |
| 27. | MAIN BODY FRAME |

Contents

OCNP5-M78700

| Fig. No. | Fig. Name |
|-----------------------|--------------|
| TRAVELING SECTION (1) | |
| 28. | IDLER |
| 29. | TRACK ROLLER |

CONTROL SECTION

| | |
|-----|----------------------|
| 30. | STEERING WHEEL |
| 31. | RUNNING CLUTCH LEVER |
| 32. | BRAKE LEVER |
| 33. | MAIN GEARSHIFT |
| 34. | SUB CHANGE LEVER |
| 35. | SIDE CLUTCH LEVER |
| 36. | DEADMAN LEVER |

PLATFORM CARRIER SECTION

| | |
|-----|----------------------|
| 37. | TRANSPORTATION STAND |
|-----|----------------------|

TOOLS, ACCESSORIES & LABELS SECTION

| | |
|-----|---------------------|
| 38. | LABELS |
| 39. | TOOLS & ACCESSORIES |

TRAVELING SECTION (2)

| | |
|-----|------------------|
| 40. | MISSION CASE |
| 41. | MAIN AXIS |
| 42. | MISSION AXIS B |
| 43. | SIDE CLUTCH AXIS |

| Fig. No. | Fig. Name |
|----------|-------------------------|
| 44. | AXLE |
| 45. | BRAKE |
| 46. | SIDE CLUTCH |
| 47. | MAIN CHANGING THE SPEED |

Fig.1. TENSION ARM

(A)=MC920-PQ
 (B)=MC920D-PQ
 (C)=

(D)=
 (E)=
 (F)=

| No. | Lev. | Parts No. | Description | Q'ty | | | | | | I | R |
|-----|------|--------------|----------------------|------|-----|-----|-----|-----|-----|---|---|
| | | | | (A) | (B) | (C) | (D) | (E) | (F) | | |
| 1 | 1 | 1N3565-22000 | TENSION ARM | 1 | 1 | | | | | | |
| 2 | 1 | 1N1430-22070 | ROLLER,TENSION | 1 | 1 | | | | | | |
| 3 | 1 | 22242-000150 | RING, 15 | 2 | 2 | | | | | | |
| 4 | 1 | 24104-062024 | BEARING, BALL 6202UU | 1 | 1 | | | | | | |
| 5 | 1 | 22252-000350 | RING, 35 | 1 | 1 | | | | | | |
| 6 | 1 | 1N1190-45000 | SPRING 11X72.5,TENS. | 1 | 1 | | | | | | |
| 7 | 1 | 22242-000160 | RING, 16 | 1 | 1 | | | | | | |
| 8 | 1 | 1N1101-44040 | RUBBER,STOPPER | 1 | 1 | | | | | | |

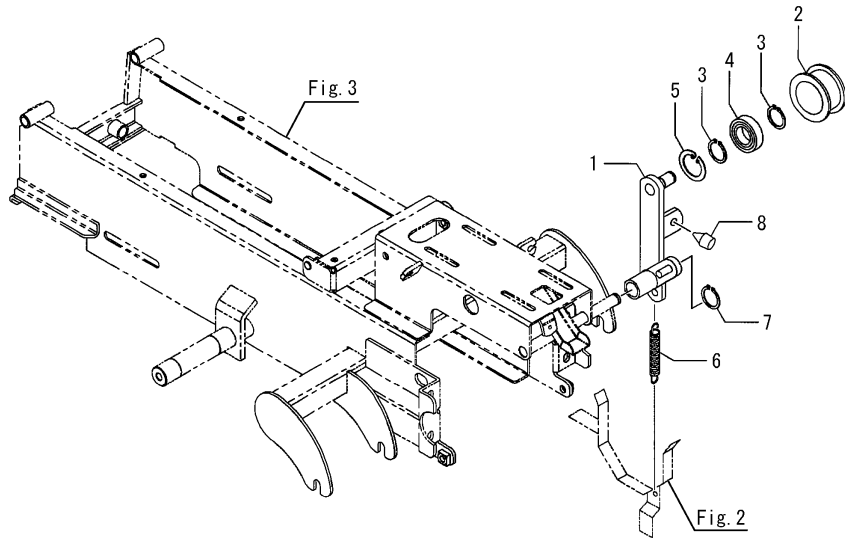
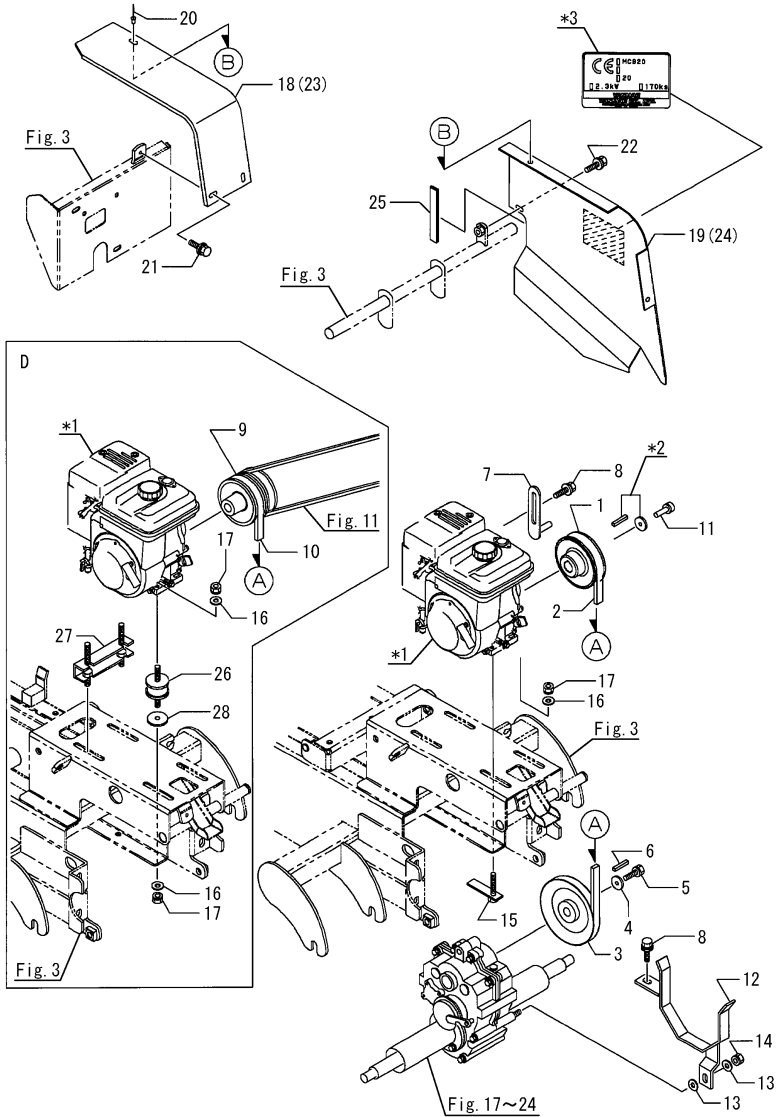


Fig.2. BELT PULLEY

(A)=MC920-PQ
(B)=MC920D-PQ
(C)=

(D)=
(E)=
(F)=

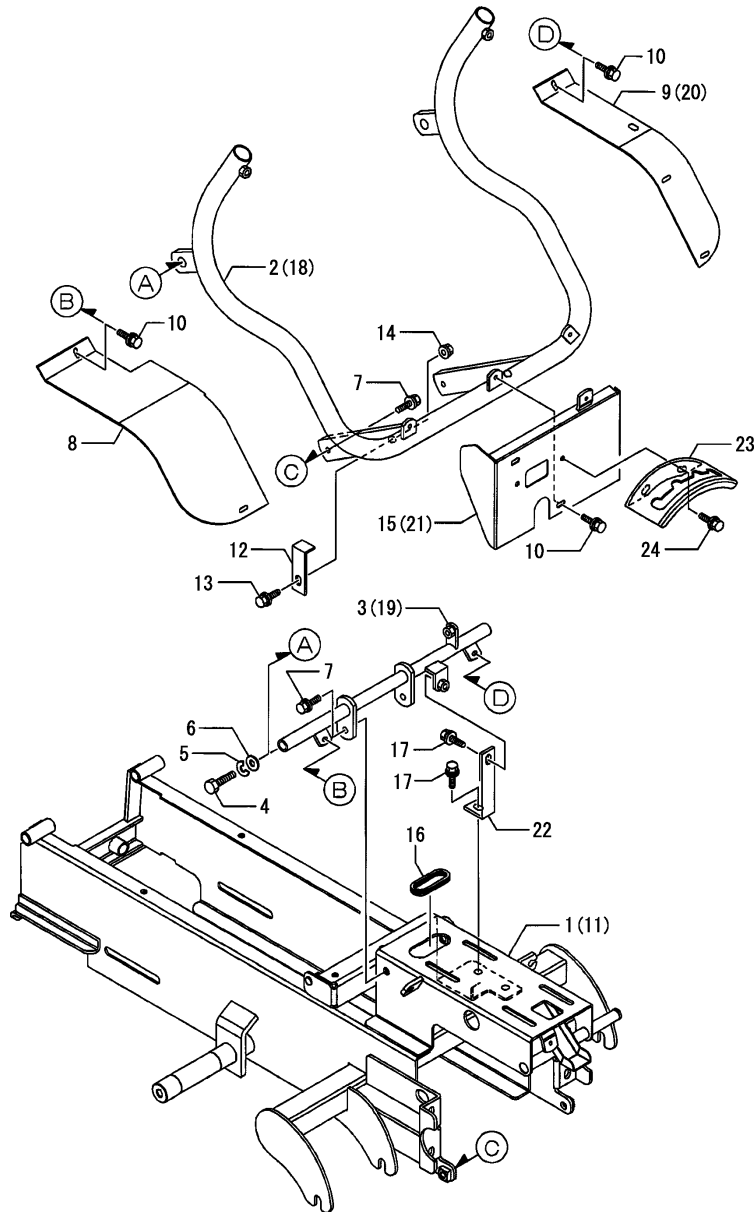


| No. | Lev. | Parts No. | Description | Q'ty | | | | | | I | R |
|-----|------|--------------|---------------------|------|-----|-----|-----|-----|-----|---|---|
| | | | | (A) | (B) | (C) | (D) | (E) | (F) | | |
| 1 | 1 | 1N3565-21010 | PULLEY,ENGINE | 1 | | | | | | | |
| 2 | 1 | 25123-002701 | V-BELT, B27H | 1 | | | | | | | |
| 3 | 1 | 1N3560-21010 | PULLEY,TRANSMISSION | 1 | 1 | | | | | | |
| 4 | 1 | 1N1240-21040 | WASHER | 1 | 1 | | | | | | |
| 5 | 1 | 26016-060164 | BOLT 6X16 W/L.W. | 1 | 1 | | | | | | |
| 6 | 1 | 22550-050201 | KEY, 5X 20 | 1 | 1 | | | | | | |
| 7 | 1 | 1N1291-22020 | GUARD 40,BELT | 2 | 2 | | | | | | |
| 8 | 1 | 26018-080164 | BOLT M 8X 16 | 3 | 3 | | | | | | |
| 9 | 1 | 1N3503-21020 | PULLEY,ENGINE | | 1 | | | | | | |
| 10 | 1 | 25123-002901 | V-BELT, B29H | | 1 | | | | | | |
| 11 | 1 | 26018-080202 | BOLT, M8X 20 | 1 | 1 | | | | | | |
| 12 | 1 | 1N3503-22050 | GUARD,MISSION BELT | 1 | 1 | | | | | | |
| 13 | 1 | 22137-080000 | WASHER, 8 | 2 | 2 | | | | | | |
| 14 | 1 | 26051-080002 | NUT, M8 | 1 | 1 | | | | | | |
| 15 | 1 | 1N3503-16000 | BOLT M8X45 | 4 | 4 | | | | | | |
| 16 | 1 | 22137-080000 | WASHER, 8 | 4 | 8 | | | | | | |
| 17 | 1 | 26051-080002 | NUT, M8 | 4 | 8 | | | | | | |
| 18 | 1 | 1N3503-58130 | COVERA,PULLEY | 1 | | | | | | | |
| 19 | 1 | 1N3565-58000 | COVER B, PULLEY | 1 | | | | | | | |
| 20 | 1 | 1N3503-58120 | RIVET | 2 | | | | | | | |
| 21 | 1 | 26018-060124 | BOLT M 6X 12 | 1 | 1 | | | | | | |
| 22 | 1 | 26018-060164 | BOLT M 6X 16 | 1 | 3 | | | | | | |
| 23 | 1 | 1N3565-58050 | COVERD,PULLEY | | 1 | | | | | | |
| 24 | 1 | 1N3503-58190 | COVER, PULLEY | | 1 | | | | | | |
| 25 | 1 | 1N3520-58190 | RUBBER,EDGING | | 1 | | | | | | |
| 26 | 1 | 1N3580-16000 | MOUNT | | 2 | | | | | | |
| 27 | 1 | 1N3503-16020 | BRACKET, ENGINE | | 1 | | | | | | |
| 28 | 1 | 1N1090-21010 | WASHER 9X35X3.2 | | 2 | | | | | | |

Remarks

- *1. Engine assy. (GB130LN)
- *2. Engine parts.
- *3. Label model. (Not sold.)

Fig.3. MAIN BODY FRAME



(A)=MC920-PQ
 (B)=MC920D-PQ
 (C)=

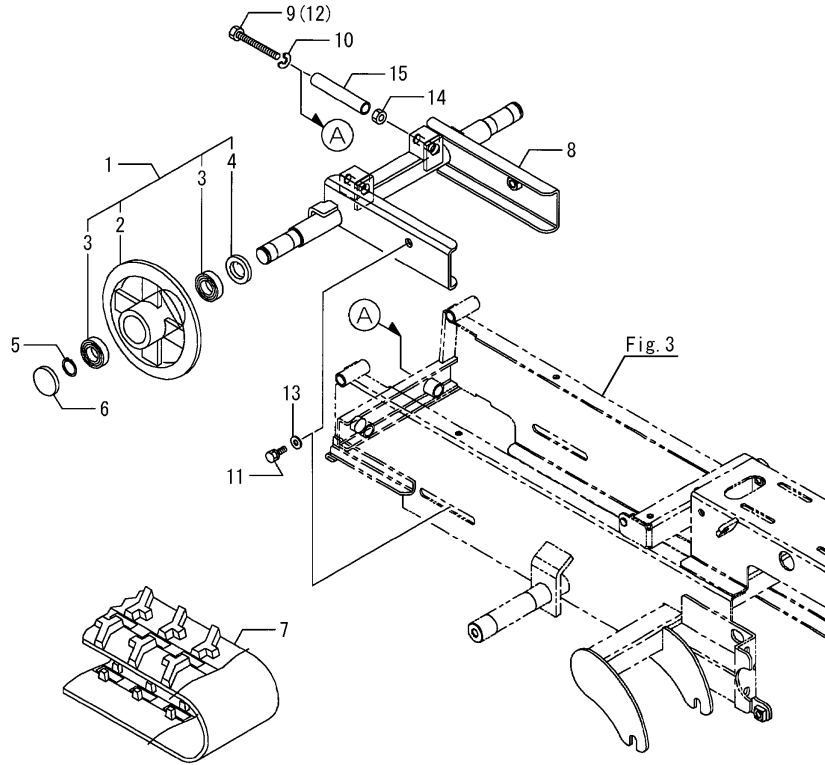
(D)=
 (E)=
 (F)=

| No. | Lev. | Parts No. | Description | Q'ty | | | | | | I | R |
|-----|------|--------------|-------------------|------|-----|-----|-----|-----|-----|---|---|
| | | | | (A) | (B) | (C) | (D) | (E) | (F) | | |
| 1 | 1 | 1N3565-31201 | FRAME,BODY | 1 | | | | | | | |
| 2 | 1 | 1N3565-54020 | PIPE, STEP | 1 | | | | | | | |
| 3 | 1 | 1N3565-54000 | SHAFT, STEP | 1 | | | | | | | |
| 4 | 1 | 26117-140404 | BOLT 14X40 | 2 | 2 | | | | | | |
| 5 | 1 | 22217-140000 | WASHER, SPRING 14 | 2 | 2 | | | | | | |
| 6 | 1 | 22137-140000 | WASHER, 14 | 2 | 2 | | | | | | |
| 7 | 1 | 26018-100254 | BOLT M10X 25 | 4 | 4 | | | | | | |
| 8 | 1 | 1N3503-58021 | FENDER (L) | 1 | 1 | | | | | | |
| 9 | 1 | 1N3503-58040 | FENDER R | 1 | | | | | | | |
| 10 | 1 | 26018-060124 | BOLT M 6X 12 | 6 | 7 | | | | | | |
| 11 | 1 | 1N3565-31240 | FRAMESZ,BODY | | 1 | | | | | | |
| 12 | 1 | 1N3503-54001 | STEP BRACKET | 1 | 1 | | | | | | |
| 13 | 1 | 26018-080164 | BOLT M 8X 16 | 1 | 1 | | | | | | |
| 14 | 1 | 26367-080002 | NUT, M8 | 1 | 1 | | | | | | |
| 15 | 1 | 1N3565-58121 | FENDER | 1 | | | | | | | |
| 16 | 1 | 1N1185-53000 | GROMMET 70 | | 1 | | | | | | |
| 17 | 1 | 26018-080204 | BOLT M 8X 20 | | 2 | | | | | | |
| 18 | 1 | 1N3565-54030 | PIPE, STEP (LD) | | 1 | | | | | | |
| 19 | 1 | 1N3503-54090 | SHAFT,STEP | | 1 | | | | | | |
| 20 | 1 | 1N3503-58160 | FENDER (R) | | 1 | | | | | | |
| 21 | 1 | 1N3565-58101 | FENDER | | 1 | | | | | | |
| 22 | 1 | 1N3503-54110 | STAY | | 1 | | | | | | |
| 23 | 1 | 1N3565-58071 | PLATE,CHANGEGUIDE | 1 | 1 | | | | | | |
| 24 | 1 | 26018-060164 | BOLT M 6X 16 | 2 | 2 | | | | | | |

Fig.4. IDLER

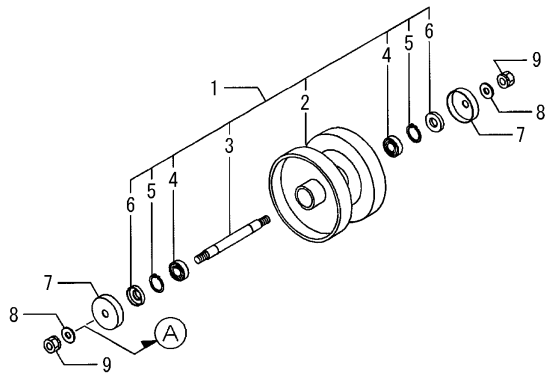
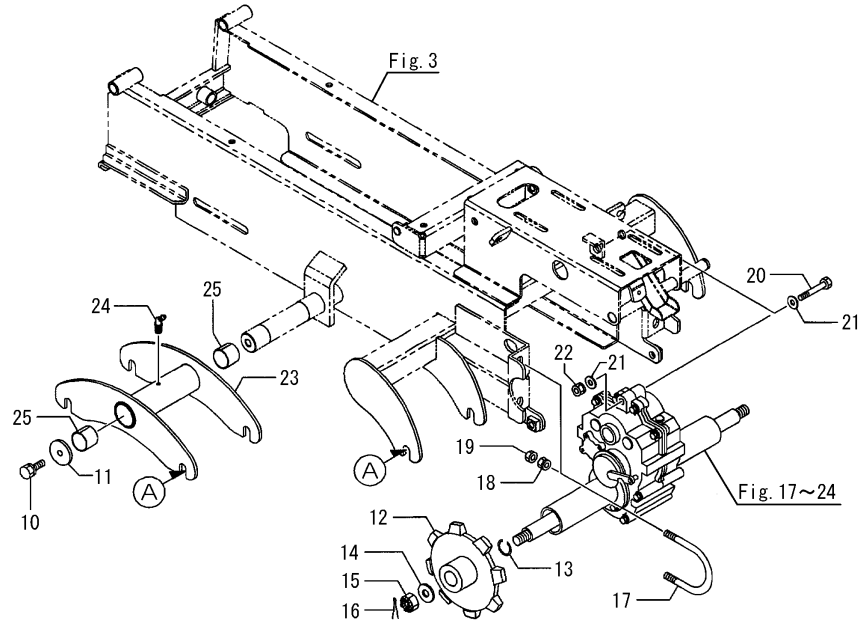
(A)=MC920-PQ
 (B)=MC920D-PQ
 (C)=

(D)=
 (E)=
 (F)=



| No. | Lev. | Parts No. | Description | Q'ty | | | | | | I | R |
|-----|------|--------------|----------------------|------|-----|-----|-----|-----|-----|---|---|
| | | | | (A) | (B) | (C) | (D) | (E) | (F) | | |
| 1 | 1 | 7N3503-35000 | FLOAT RING ASSY. | 2 | 2 | | | | | | |
| 2 | 2 | 1N3503-35070 | WHEEL, IDLE | 2 | 2 | | | | | | |
| 3 | 2 | 24101-060054 | BEARING, BALL 6005 | 4 | 4 | | | | | | |
| 4 | 2 | 24421-304707 | SEAL, OIL TC304707 | 2 | 2 | | | | | | |
| 5 | 1 | 22242-000250 | RING, 25 | 2 | 2 | | | | | | |
| 6 | 1 | 1N3506-35020 | SEAL CAP | 2 | 2 | | | | | | |
| 7 | 1 | 1N3503-37000 | CRAWLAR 180X60X37 | 2 | 2 | | | | | | |
| 8 | 1 | 1N3565-35000 | BRACKET, WHEEL, IDLE | 1 | 1 | | | | | | |
| 9 | 1 | 26117-141504 | BOLT, M14X150 PLATED | 2 | | | | | | | |
| 10 | 1 | 22217-140000 | WASHER, SPRING 14 | 2 | 2 | | | | | | |
| 11 | 1 | 1E1116-47090 | BOLT 12X30 | 2 | 2 | | | | | | |
| 12 | 1 | 26117-143102 | BOLT, M14X310 PLATED | | | 2 | | | | | |
| 13 | 1 | 22137-120000 | WASHER, 12 | 2 | 2 | | | | | | |
| 14 | 1 | 26757-140002 | NUT, LOCK M14 | 2 | 2 | | | | | | |
| 15 | 1 | 1N3503-35080 | COLLAR, 15X20X115 | | | 2 | | | | | |

Fig.5. TRACK ROLLER



(A)=MC920-PQ
(B)=MC920D-PQ
(C)=

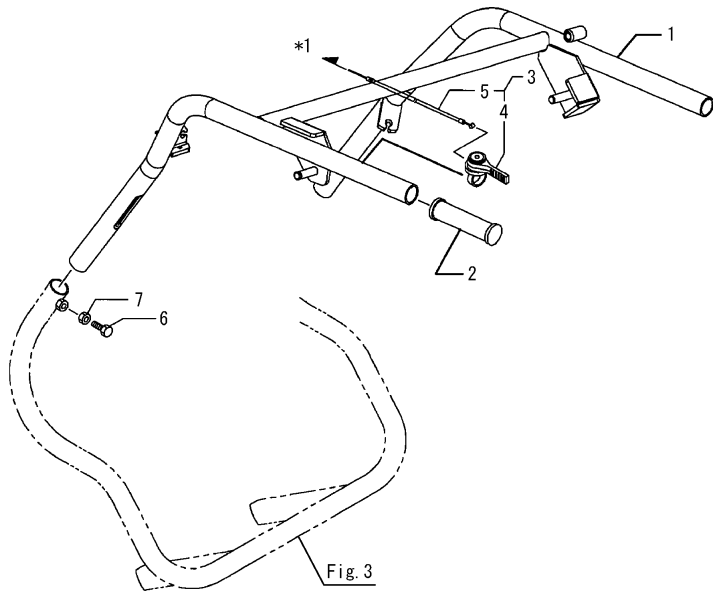
(D)=
(E)=
(F)=

| No. | Lev. | Parts No. | Description | Q'ty | | | | | | I | R |
|-----|------|--------------|----------------------|------|-----|-----|-----|-----|-----|---|---|
| | | | | (A) | (B) | (C) | (D) | (E) | (F) | | |
| 1 | 1 | 7N3501-36000 | LWR.TRANK ROLLER ASY | 6 | 6 | | | | | | |
| 2 | 2 | 1N3501-36010 | ROLLER,LOWER TRACK | 6 | 6 | | | | | | |
| 3 | 2 | 1N3501-35020 | SHAFT | 6 | 6 | | | | | | |
| 4 | 2 | 24101-060024 | BEARING, BALL 6002 | 12 | 12 | | | | | | |
| 5 | 2 | 22242-000150 | RING, 15 | 12 | 12 | | | | | | |
| 6 | 2 | 24421-153206 | SEAL, OIL TC153206 | 12 | 12 | | | | | | |
| 7 | 1 | 1N1091-36000 | COVER,OIL SEAL | 12 | 12 | | | | | | |
| 8 | 1 | 22137-120000 | WASHER, 12 | 12 | 12 | | | | | | |
| 9 | 1 | 26051-120002 | NUT, M12 | 12 | 12 | | | | | | |
| 10 | 1 | 26117-120304 | BOLT M12X 30 PLATED | 2 | 2 | | | | | | |
| 11 | 1 | 1E1102-71190 | WASHER | 2 | 2 | | | | | | |
| 12 | 1 | 1N3503-35060 | SPROCKET | 2 | 2 | | | | | | |
| 13 | 1 | 1N3504-53000 | CIRCLIP | 2 | 2 | | | | | | |
| 14 | 1 | 22137-160000 | WASHER, 16 | 2 | 2 | | | | | | |
| 15 | 1 | 26817-160002 | NUT, CASTLE M16 | 2 | 2 | | | | | | |
| 16 | 1 | 22417-400400 | PIN, COTTER 4.0X40 | 2 | 2 | | | | | | |
| 17 | 1 | 1N3501-35030 | U-BOLT | 2 | 2 | | | | | | |
| 18 | 1 | 26052-100002 | NUT, M10 | 4 | 4 | | | | | | |
| 19 | 1 | 26757-100002 | NUT, LOCK M10 | 4 | 4 | | | | | | |
| 20 | 1 | 26117-100702 | BOLT M10X 70 PLATED | 1 | 1 | | | | | | |
| 21 | 1 | 22137-100000 | WASHER, 10 | 2 | 2 | | | | | | |
| 22 | 1 | 26051-100002 | NUT, M10 | 1 | 1 | | | | | | |
| 23 | 1 | 1N3565-36000 | ICORADER | 2 | 2 | | | | | | |
| 24 | 1 | 1N3505-33040 | NIPPLE BMT6X1,GREASE | 2 | 2 | | | | | | |
| 25 | 1 | 1E1107-62040 | LINER | 4 | 4 | | | | | | |

Fig.6. STEERING WHEEL

(A)=MC920-PQ
 (B)=MC920D-PQ
 (C)=

(D)=
 (E)=
 (F)=



| No. | Lev. | Parts No. | Description | Q'ty | | | | | | I | R |
|-----|------|--------------|----------------------|------|-----|-----|-----|-----|-----|---|---|
| | | | | (A) | (B) | (C) | (D) | (E) | (F) | | |
| 1 | 1 | 1N3503-47001 | HANDLE | 1 | 1 | | | | | | |
| 2 | 1 | 1N1313-44001 | GRIP (25.4) | 2 | 2 | | | | | | |
| 3 | 1 | 7N3503-51050 | LEVER ASSY, ACCELE | 1 | 1 | | | | | | |
| 4 | 2 | 1N3503-51010 | LEVER 25,AXLE | 1 | 1 | | | | | | |
| 5 | 2 | 1N3503-51200 | WIRE, ACCELE | 1 | 1 | | | | | | |
| 6 | 1 | 26117-100254 | BOLT, M10X 25 PLATED | 2 | 2 | | | | | | |
| 7 | 1 | 26757-100002 | NUT, LOCK M10 | 2 | 2 | | | | | | |

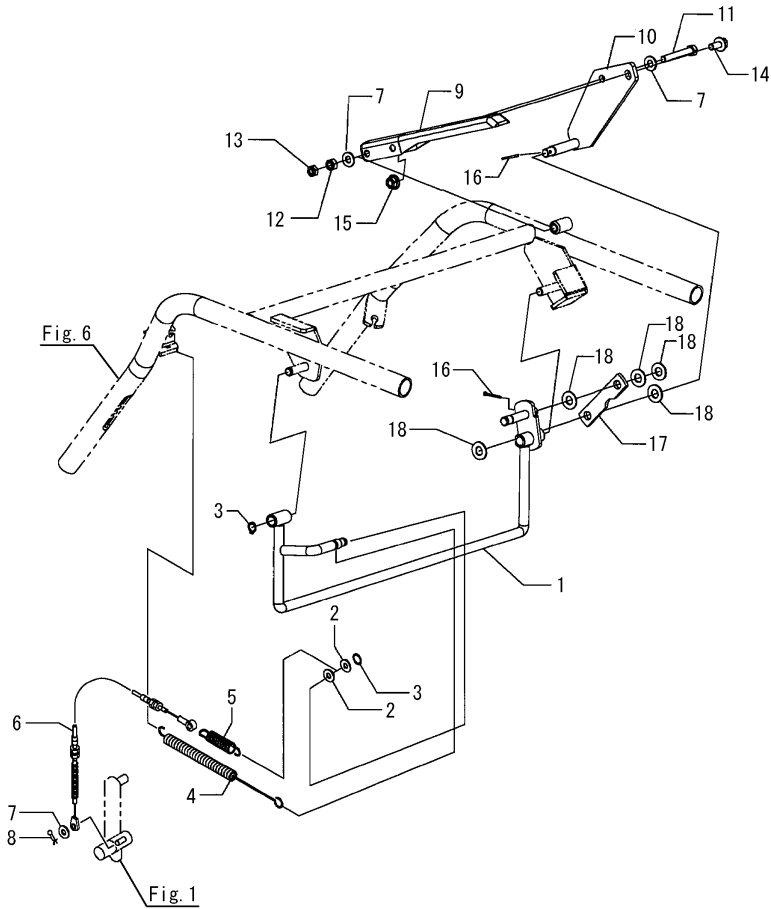
Remarks

*1. To the engine parts.

Fig.7. RUNNING CLUTCH LEVER

(A)=MC920-PQ
(B)=MC920D-PQ
(C)=

(D)=
(E)=
(F)=



| No. | Lev. | Parts No. | Description | Q'ty | | | | | | I | R |
|-----|------|--------------|---------------------|------|-----|-----|-----|-----|-----|---|---|
| | | | | (A) | (B) | (C) | (D) | (E) | (F) | | |
| 1 | 1 | 1N3503-42001 | LEVER, OPERATION | 1 | 1 | | | | | | |
| 2 | 1 | 22137-100000 | WASHER, 10 | 2 | 2 | | | | | | |
| 3 | 1 | 22242-000100 | RING, 10 | 2 | 2 | | | | | | |
| 4 | 1 | 1N3503-53020 | SPRING | 1 | 1 | | | | | | |
| 5 | 1 | 1N3503-53010 | SPRING | 1 | 1 | | | | | | |
| 6 | 1 | 1N3565-51000 | WIRE, CONTROL | 1 | 1 | | | | | | |
| 7 | 1 | 22137-080000 | WASHER, 8 | 3 | 3 | | | | | | |
| 8 | 1 | 1N3513-42160 | PIN | 1 | 1 | | | | | | |
| 9 | 1 | 1N1723-31360 | LEVER, DEADMAN | 1 | 1 | | | | | | |
| 10 | 1 | 1N3503-42040 | BRACKET DEADMAN | 1 | 1 | | | | | | |
| 11 | 1 | 26116-080552 | BOLT, M8X 55 PLATED | 1 | 1 | | | | | | |
| 12 | 1 | 26347-080002 | NUT, M8 | 1 | 1 | | | | | | |
| 13 | 1 | 26757-080002 | NUT, LOCK M8 | 1 | 1 | | | | | | |
| 14 | 1 | 26018-080202 | BOLT, M8X 20 | 1 | 1 | | | | | | |
| 15 | 1 | 26367-080002 | NUT, M8 | 1 | 1 | | | | | | |
| 16 | 1 | 22417-250200 | PIN, COTTER 2.5X20 | 2 | 2 | | | | | | |
| 17 | 1 | 1N3503-42071 | LEVER CONNECTING | 1 | 1 | | | | | | |
| 18 | 1 | 22137-100000 | WASHER, 10 | 5 | 5 | | | | | | |

Fig.8. BRAKE LEVER

(A)=MC920-PQ
 (B)=MC920D-PQ
 (C)=

(D)=
 (E)=
 (F)=

| No. | Lev. | Parts No. | Description | Q'ty | | | | | | I | R |
|-----|------|--------------|---------------------|------|-----|-----|-----|-----|-----|---|---|
| | | | | (A) | (B) | (C) | (D) | (E) | (F) | | |
| 1 | 1 | 1N3565-51010 | WIRE,CONTROL | 1 | 1 | | | | | | |
| 2 | 1 | 22242-000100 | RING, 10 | 1 | 1 | | | | | | |
| 3 | 1 | 1N3503-53000 | SPRING | 1 | 1 | | | | | | |
| 4 | 1 | 1N1210-42040 | LINK,BRAKE CONNECTG | 1 | 1 | | | | | | |
| 5 | 1 | 22137-080000 | WASHER, 8 | 1 | 1 | | | | | | |
| 6 | 1 | 1N3513-42160 | PIN | 1 | 1 | | | | | | |
| 7 | 1 | 1N3503-53030 | SPRING | 1 | 1 | | | | | | |

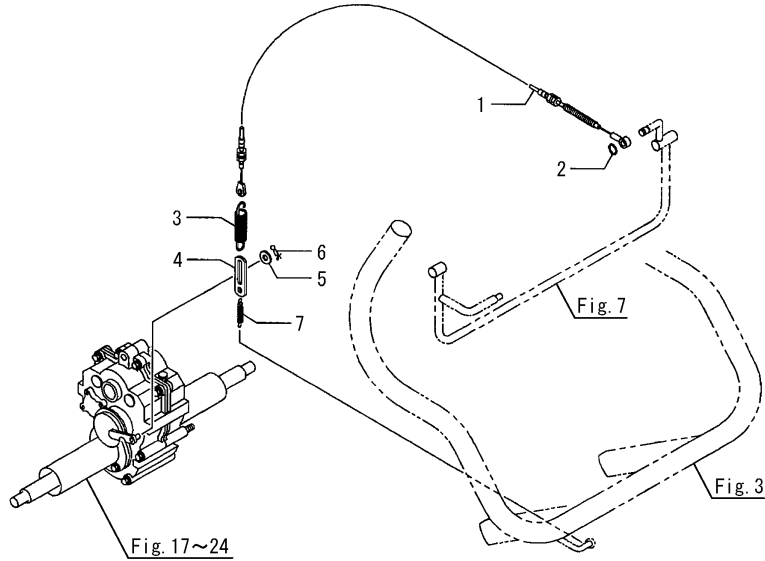
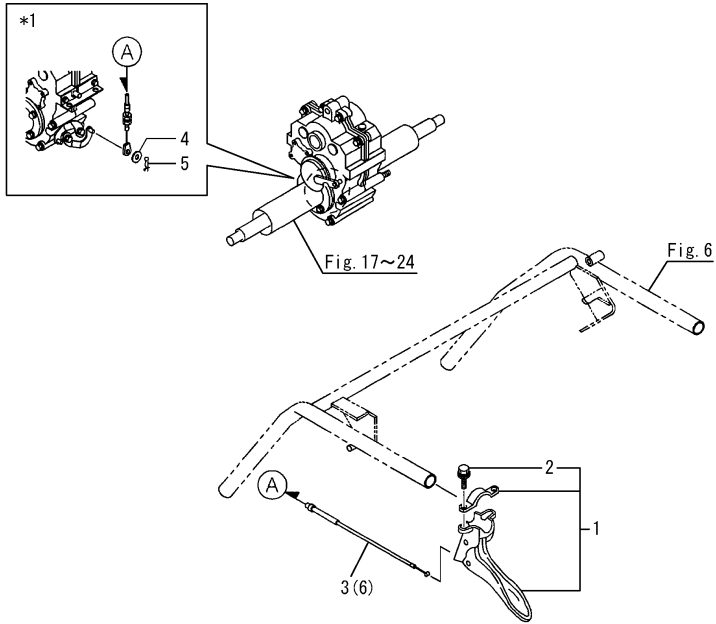


Fig.10. SIDE CLUTCH LEVER

(A)=MC920-PQ
(B)=MC920D-PQ
(C)=

(D)=
(E)=
(F)=



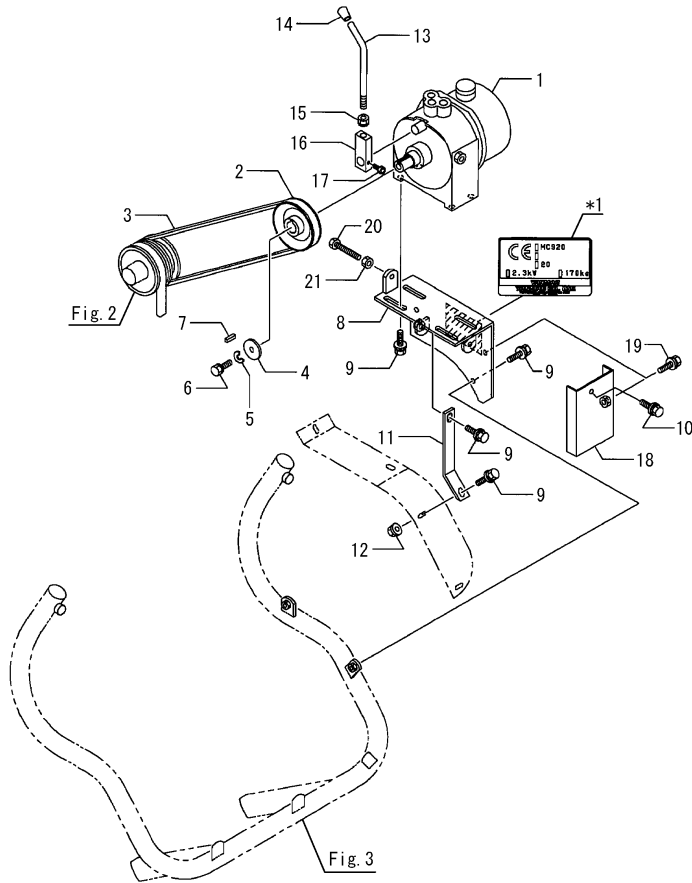
| No. | Lev. | Parts No. | Description | Q'ty | | | | | | I | R |
|-----|------|--------------|----------------|------|-----|-----|-----|-----|-----|---|---|
| | | | | (A) | (B) | (C) | (D) | (E) | (F) | | |
| 1 | 1 | 1E1140-51040 | LEVER | 2 | 2 | | | | | | |
| 2 | 2 | 26014-060259 | BOLT, M6X 25 | 4 | 4 | | | | | | |
| 3 | 1 | 1N3503-51190 | WIRE,SD CLUTCH | 1 | 1 | | | | | | |
| 4 | 1 | 22137-080000 | WASHER, 8 | 2 | 2 | | | | | | |
| 5 | 1 | 1N3513-42160 | PIN | 2 | 2 | | | | | | |
| 6 | 1 | 1N3503-51180 | WIRE,SD CLUTCH | 1 | 1 | | | | | | |

Remarks
*1. Mission assy.
(Viewed from back side.)

Fig.11. OIL PRESSURE PUMP

(A)=MC920-PQ
(B)=MC920D-PQ
(C)=

(D)=
(E)=
(F)=



| No. | Lev. | Parts No. | Description | Q'ty | | | | | | I | R |
|-----|------|--------------|----------------------|------|-----|-----|-----|-----|-----|---|---|
| | | | | (A) | (B) | (C) | (D) | (E) | (F) | | |
| 1 | 1 | 7N1277-61000 | PUMP ASSY, HYDRAULIC | | 1 | | | | | | |
| 2 | 1 | 1N3505-21020 | PULLEY B3.0X1,PKG. | | 1 | | | | | | |
| 3 | 1 | 25113-001900 | V-BELT, B19 | | 1 | | | | | | |
| 4 | 1 | 1N1210-16060 | WASHER 11X35,RUBBER | | 1 | | | | | | |
| 5 | 1 | 22217-100000 | WASHER, SPRING 10 | | 1 | | | | | | |
| 6 | 1 | 26117-100204 | BOLT, M10X 20 PLATED | | 1 | | | | | | |
| 7 | 1 | 22550-050180 | KEY, 5X 18 | | 1 | | | | | | |
| 8 | 1 | 1N3504-45100 | PLATFORM(D),PKG | | 1 | | | | | | |
| 9 | 1 | 26018-080204 | BOLT M 8X 20 | | 8 | | | | | | |
| 10 | 1 | 26018-060124 | BOLT M 6X 12 | | 1 | | | | | | |
| 11 | 1 | 1N3503-54100 | STAY | | 1 | | | | | | |
| 12 | 1 | 26367-080002 | NUT, M8 | | 1 | | | | | | |
| 13 | 1 | 1N3503-45060 | LEVER, DUMP | | 1 | | | | | | |
| 14 | 1 | 1N1216-44010 | GRIP | | 1 | | | | | | |
| 15 | 1 | 26051-100002 | NUT, M10 | | 1 | | | | | | |
| 16 | 1 | 1N1386-45130 | PACKAGE PARTS | | 1 | | | | | | |
| 17 | 1 | 1N1285-61000 | BOLT M5X10,HSH. | | 1 | | | | | | |
| 18 | 1 | 1N3503-45090 | COVER | | 1 | | | | | | |
| 19 | 1 | 26018-060164 | BOLT M 6X 16 | | 2 | | | | | | |
| 20 | 1 | 26117-080504 | BOLT M 8X 50 PLATED | | 1 | | | | | | |
| 21 | 1 | 26757-080002 | NUT, LOCK M8 | | 1 | | | | | | |

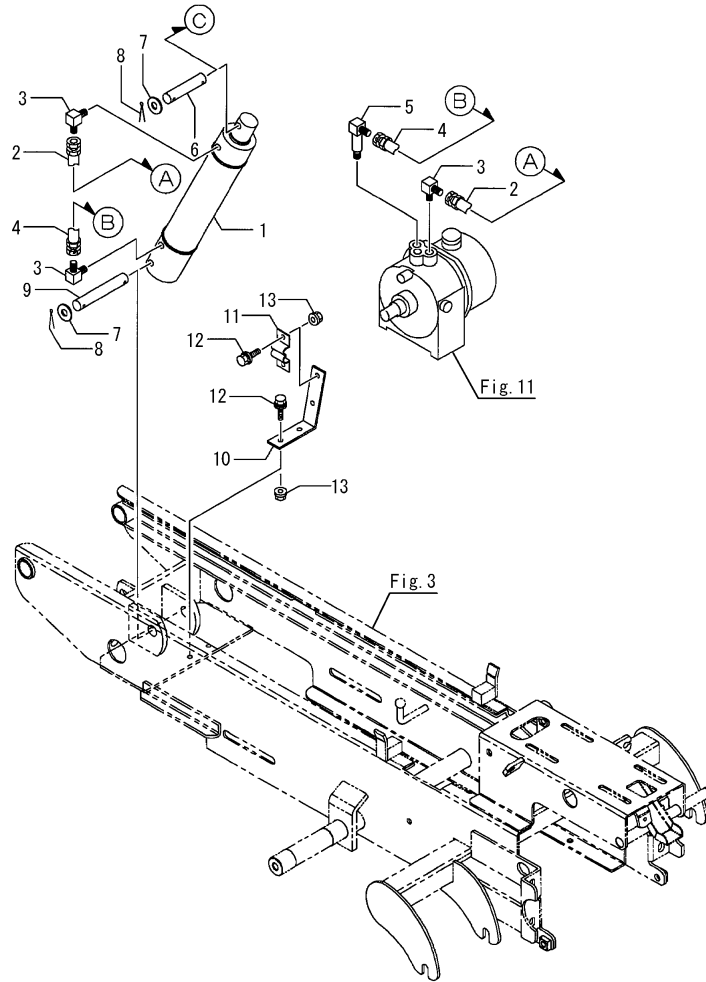
Remarks

* MC920D-PQ.
*1. Label model. (Not sold.)

Fig.12. OIL PRESSURE CYLINDER

(A)=MC920-PQ
 (B)=MC920D-PQ
 (C)=

(D)=
 (E)=
 (F)=



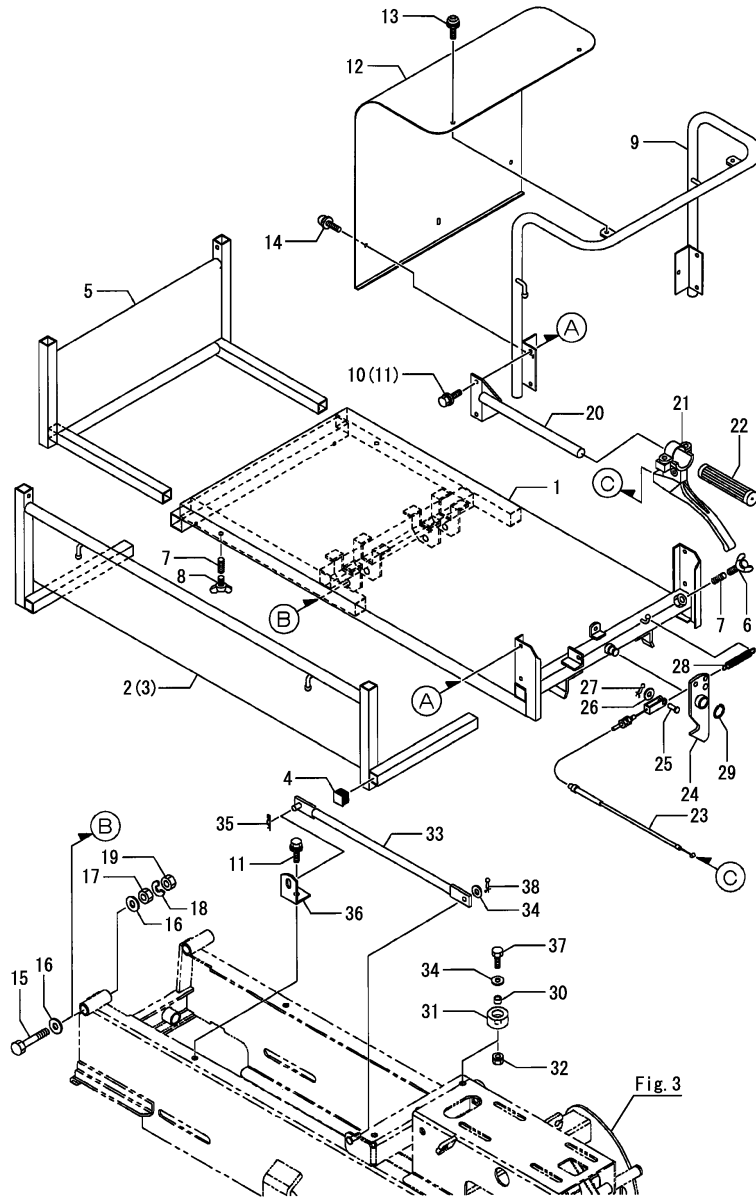
| No. | Lev. | Parts No. | Description | Q'ty | | | | | | I | R |
|-----|------|--------------|--------------------|------|-----|-----|-----|-----|-----|---|---|
| | | | | (A) | (B) | (C) | (D) | (E) | (F) | | |
| 1 | 1 | 1N3500-61010 | CYLINDER | | 1 | | | | | | |
| 2 | 1 | 1N1286-61110 | HOSE | | 1 | | | | | | |
| 3 | 1 | 1N1090-61030 | ELBOW | | 3 | | | | | | |
| 4 | 1 | 1N1286-61110 | HOSE | | 1 | | | | | | |
| 5 | 1 | 1N3512-61040 | ELBOW, LONG | | 1 | | | | | | |
| 6 | 1 | 1N1215-61001 | PIN,CYLINDER MTG. | | 1 | | | | | | |
| 7 | 1 | 22137-180000 | WASHER, 18 | | 4 | | | | | | |
| 8 | 1 | 22417-400300 | PIN, COTTER 4.0X30 | | 4 | | | | | | |
| 9 | 1 | 1N3544-61020 | PIN | | 1 | | | | | | |
| 10 | 1 | 1N3503-61000 | STAY, HOSE | | 1 | | | | | | |
| 11 | 1 | 1N1526-61040 | HOSE BAND | | 1 | | | | | | |
| 12 | 1 | 26018-060164 | BOLT M 6X 16 | | 4 | | | | | | |
| 13 | 1 | 26367-060002 | NUT, M6 | | 4 | | | | | | |

Remarks
 * MC920D-PQ.

Fig.13. TRANSPORTATION STAND

(A)=MC920-PQ
(B)=MC920D-PQ
(C)=

(D)=
(E)=
(F)=



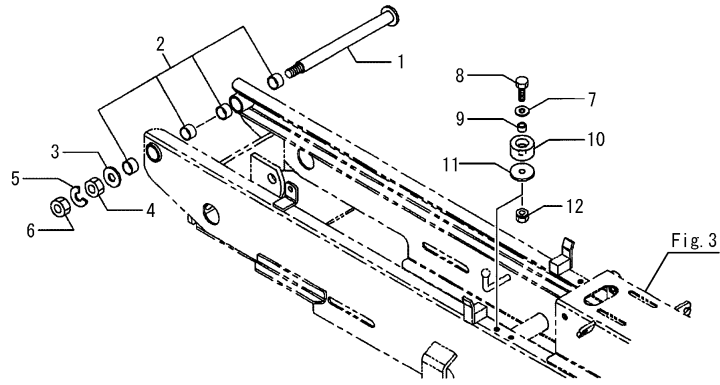
| No. | Lev. | Parts No. | Description | Q'ty | | | | | | I | R |
|-----|------|--------------|----------------------|------|-----|-----|-----|-----|-----|---|---|
| | | | | (A) | (B) | (C) | (D) | (E) | (F) | | |
| 1 | 1 | 1N3503-74300 | CARRIER,PLATFORM | 1 | | | | | | | |
| 2 | 1 | 1N3501-65150 | SIDE PLATE (L) | 1 | | | | | | | |
| 3 | 1 | 1N3501-65130 | SIDE PLATE (R) | 1 | | | | | | | |
| 4 | 1 | 1N1520-53020 | PLUG 25J | 4 | | | | | | | |
| 5 | 1 | 1N3501-65160 | PANEL, OPERATING | 1 | | | | | | | |
| 6 | 1 | 26647-100352 | BOLT, WING M10X35 | 2 | | | | | | | |
| 7 | 1 | 1N1151-53020 | SPRING 10.5X25,COMPR | 6 | | | | | | | |
| 8 | 1 | 26647-100302 | BOLT 10X30,WING | 4 | | | | | | | |
| 9 | 1 | 1N3503-66440 | GIDE PLATE, BACK | 1 | | | | | | | |
| 10 | 1 | 26018-080254 | BOLT M 8X 25 | 2 | | | | | | | |
| 11 | 1 | 26018-080204 | BOLT M 8X 20 | 3 | | | | | | | |
| 12 | 1 | 1N3503-66460 | PLATE, BACK | 1 | | | | | | | |
| 13 | 1 | 1N3503-66220 | SCREW 6X12 | 5 | | | | | | | |
| 14 | 1 | 1N3503-66230 | SCREW 6X15 | 2 | | | | | | | |
| 15 | 1 | 26117-140902 | BOLT, M14X 90 PLATED | 2 | | | | | | | |
| 16 | 1 | 22137-140000 | WASHER, 14 | 4 | | | | | | | |
| 17 | 1 | 26717-140002 | NUT, M14 | 2 | | | | | | | |
| 18 | 1 | 22217-140000 | WASHER, SPRING 14 | 2 | | | | | | | |
| 19 | 1 | 26757-140002 | NUT, LOCK M14 | 2 | | | | | | | |
| 20 | 1 | 1N3503-74180 | LEVER, DUMP | 1 | | | | | | | |
| 21 | 1 | 1N3503-51060 | LEVER | 1 | | | | | | | |
| 22 | 1 | 1N3503-44010 | GRIP | 1 | | | | | | | |
| 23 | 1 | 1N3503-51050 | WIRE,CARRIER LOCK | 1 | | | | | | | |
| 24 | 1 | 1N3503-64140 | CARRIER LOCK | 1 | | | | | | | |
| 25 | 1 | 1N1215-51000 | PIN 6X16,RIVET | 1 | | | | | | | |
| 26 | 1 | 22137-060000 | WASHER, 6 | 1 | | | | | | | |
| 27 | 1 | 1N3569-42000 | SNAP PIN 6 | 1 | | | | | | | |
| 28 | 1 | 1N1190-45000 | SPRING 11X72.5,TENS. | 1 | | | | | | | |
| 29 | 1 | 22242-000160 | RING, 16 | 1 | | | | | | | |
| 30 | 1 | 1N3503-64420 | COLLAR 8.8X12X8 | 2 | | | | | | | |
| 31 | 1 | 1N3503-44000 | RUBBER,STOPPER | 2 | | | | | | | |
| 32 | 1 | 26051-080002 | NUT, M8 | 2 | | | | | | | |
| 33 | 1 | 1N3504-64000 | BAR, BODY SUPPORT | 1 | | | | | | | |
| 34 | 1 | 22137-080000 | WASHER, 8 | 3 | | | | | | | |
| 35 | 1 | 22360-080000 | SNAP PIN 8 | 1 | | | | | | | |
| 36 | 1 | 1N3504-64020 | RETAINER | 1 | | | | | | | |
| 37 | 1 | 26117-080254 | BOLT M 8X 25 PLATED | 2 | | | | | | | |
| 38 | 1 | 1N3513-42160 | PIN | 1 | | | | | | | |

Remarks
* MC920-PQ.

Fig.14. TRANSPORTATION STAND

(A)=MC920-PQ
 (B)=MC920D-PQ
 (C)=

(D)=
 (E)=
 (F)=



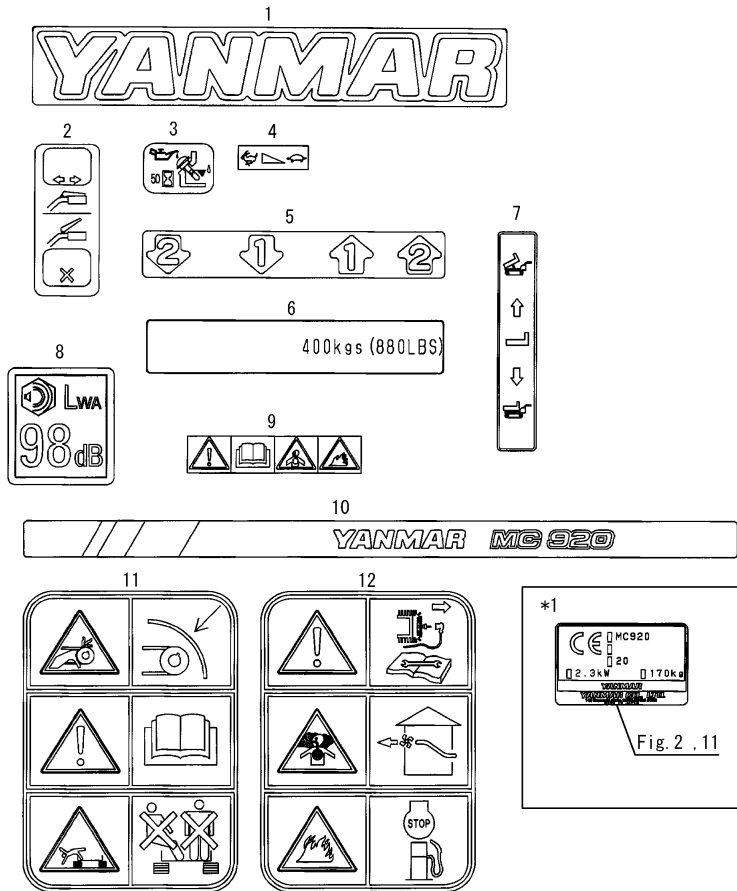
| No. | Lev. | Parts No. | Description | Q'ty | | | | | | I | R |
|-----|------|--------------|----------------------|------|-----|-----|-----|-----|-----|---|---|
| | | | | (A) | (B) | (C) | (D) | (E) | (F) | | |
| 1 | 1 | 1N3503-68140 | SHAFT | | 1 | | | | | | |
| 2 | 1 | 1E1103-31250 | LINER, R-BM2220 MID. | | 4 | | | | | | |
| 3 | 1 | 22137-160000 | WASHER, 16 | | 1 | | | | | | |
| 4 | 1 | 26717-160002 | NUT, M16 | | 1 | | | | | | |
| 5 | 1 | 22217-160000 | WASHER, SPRING 16 | | 1 | | | | | | |
| 6 | 1 | 26757-160002 | NUT, LOCK M16 | | 1 | | | | | | |
| 7 | 1 | 22137-080000 | WASHER, 8 | | 2 | | | | | | |
| 8 | 1 | 26117-080304 | BOLT, M8X 30 PLATED | | 2 | | | | | | |
| 9 | 1 | 1N3503-64420 | COLLAR 8.8X12X8 | | 2 | | | | | | |
| 10 | 1 | 1N3503-44000 | RUBBER, STOPPER | | 2 | | | | | | |
| 11 | 1 | 1E1100-21230 | WASHER, 9.0X35X4.5 | | 2 | | | | | | |
| 12 | 1 | 26051-080002 | NUT, M8 | | 2 | | | | | | |

Remarks
 * MC920D-PQ.

Fig.15. LABELS

(A)=MC920-PQ
(B)=MC920D-PQ
(C)=

(D)=
(E)=
(F)=



| No. | Lev. | Parts No. | Description | Q'ty | | | | | | I | R |
|-----|------|--------------|----------------------|------|-----|-----|-----|-----|-----|---|---|
| | | | | (A) | (B) | (C) | (D) | (E) | (F) | | |
| 1 | 1 | 1N1313-93030 | NAMER,SIDE | 2 | | | | | | | |
| 2 | 1 | 1N3506-93260 | LABEL,CLUTCH | 1 | 1 | | | | | | |
| 3 | 1 | 1N3507-93160 | LEVEL,OIL | 1 | 1 | | | | | | |
| 4 | 1 | 1N3503-93190 | LABEL, ACCEL | 1 | 1 | | | | | | |
| 5 | 1 | 1N3503-93460 | LABEL, CHANGE | 1 | 1 | | | | | | |
| 6 | 1 | 1N1367-93120 | LABEL,CARRY CAPACITY | 1 | | | | | | | |
| 7 | 1 | 1N3503-93140 | LABEL,SWITCHING | | 1 | | | | | | |
| 8 | 1 | 1N3504-93180 | LABEL 98DB,NOISE | 1 | 1 | | | | | | |
| 9 | 1 | 1A0023-00050 | LABEL,CAUTION | 1 | 1 | | | | | | |
| 10 | 1 | 1N3503-93450 | NAMER MC920, MODEL | 1 | 1 | | | | | | |
| 11 | 1 | 1N3563-93020 | LABEL,SAFETY | 1 | 1 | | | | | | |
| 12 | 1 | 1N3563-93050 | LABEL,SAFETY | 1 | 1 | | | | | | |

Remarks

*1. Label model. (Not sold.)

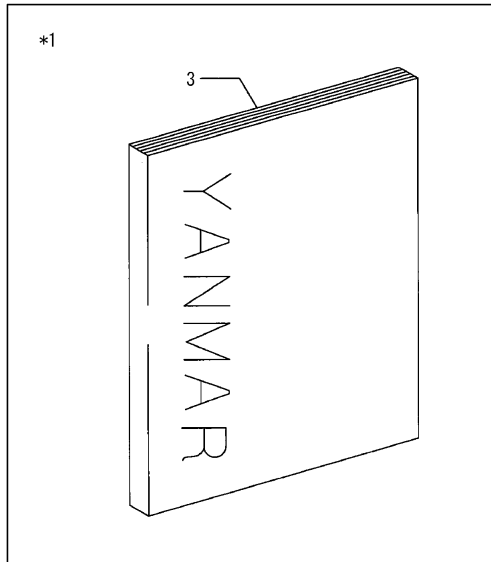
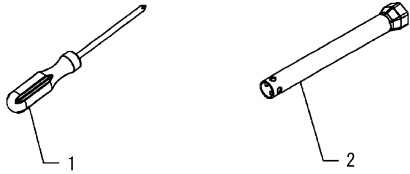
N:Old $\begin{matrix} \leftarrow \text{Yes} \\ \text{No} \end{matrix}$ New, Q:Old $\begin{matrix} \leftarrow \text{No} \\ \text{Yes} \end{matrix}$ New, R:Old $\begin{matrix} \leftarrow \text{Yes} \\ \text{Yes} \end{matrix}$ New, S:Old $\begin{matrix} \leftarrow \text{No} \\ \text{No} \end{matrix}$ New, W:Add, Z:Discontinued, F:Interchangeable by set, K:Q'ty Change

Fig.16. TOOLS & ACCESSORIES

(A)=MC920-PQ
(B)=MC920D-PQ
(C)=

(D)=
(E)=
(F)=

| No. | Lev. | Parts No. | Description | Q'ty | | | | | | I | R |
|-----|------|--------------|------------------|------|-----|-----|-----|-----|-----|---|---|
| | | | | (A) | (B) | (C) | (D) | (E) | (F) | | |
| 1 | 1 | 1E5550-00120 | DRIVER,SCREW | 1 | 1 | | | | | | |
| 2 | 1 | 1E3260-00070 | SPANNER,BOX | 1 | 1 | | | | | | |
| 3 | 1 | 1N3503-95110 | INSTRUCTION BOOK | 1 | 1 | | | | | | |

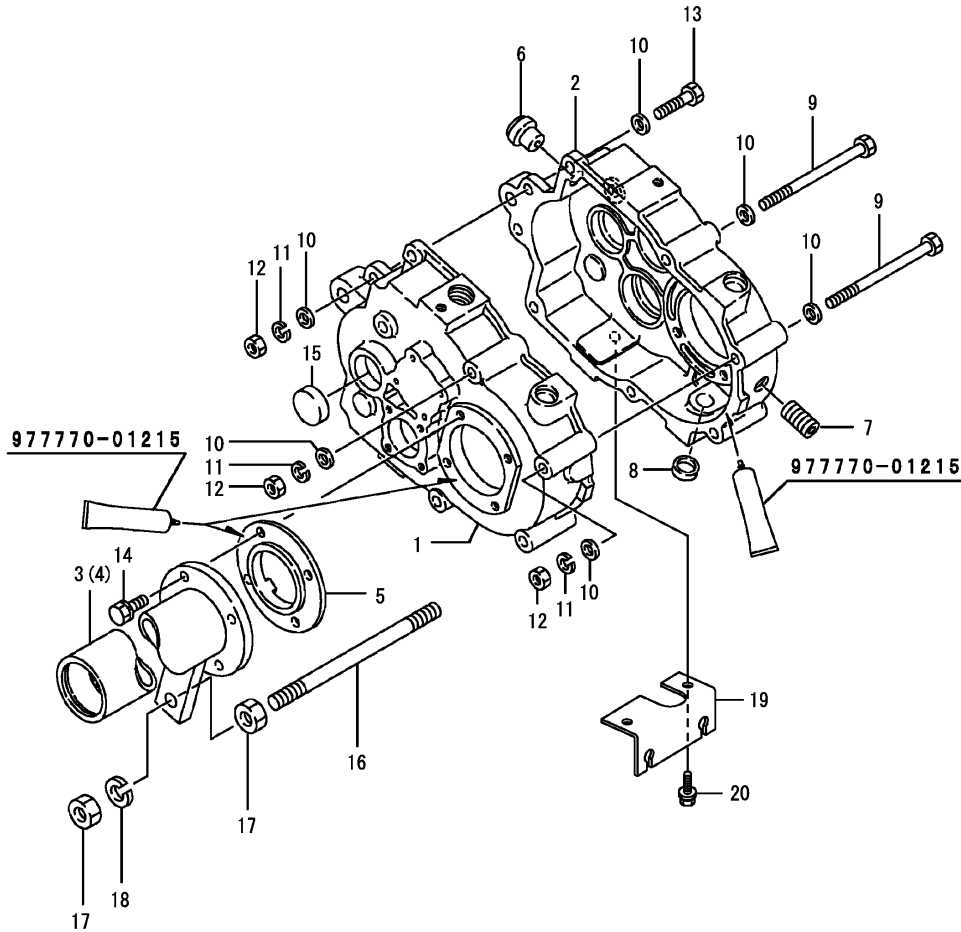


Remarks
*1. Accessory.

Fig.17. MISSION CASE

(A)=FT25-24F1
(B)=
(C)=

(D)=
(E)=
(F)=



| No. | Lev. | Parts No. | Description | Q'ty | | | | | | I | R |
|-----|------|--------------|---------------------|------|-----|-----|-----|-----|-----|---|---|
| | | | | (A) | (B) | (C) | (D) | (E) | (F) | | |
| 1 | 1 | 1N3565-24000 | CASE L, MISSION | 1 | | | | | | | |
| 2 | 1 | 1N3565-24010 | CASE R, MISSION | 1 | | | | | | | |
| 3 | 1 | 1N3503-24000 | HOLDER L, AXLE | 1 | | | | | | | |
| 4 | 1 | 1N3503-24010 | HOLDER R, AXLE | 1 | | | | | | | |
| 5 | 1 | 1N3503-24020 | TINE, CLUTCH | 2 | | | | | | | |
| 6 | 1 | 1N3503-24040 | PLUG, HOLED OIL | 1 | | | | | | | |
| 7 | 1 | 1N3530-24060 | PLUG PT1/4, DRAIN | 1 | | | | | | | |
| 8 | 1 | 1N1430-24080 | CAP, SEAL | 2 | | | | | | | |
| 9 | 1 | 26117-081102 | BOLT M 8X110 PLATED | 4 | | | | | | | |
| 10 | 1 | 22137-080000 | WASHER, 8 | 16 | | | | | | | |
| 11 | 1 | 22217-080000 | WASHER, SPRING 8 | 8 | | | | | | | |
| 12 | 1 | 26717-080002 | NUT, M8 | 8 | | | | | | | |
| 13 | 1 | 26117-080352 | BOLT M 8X 35 PLATED | 4 | | | | | | | |
| 14 | 1 | 26016-080204 | BOLT M 8X 20 | 8 | | | | | | | |
| 15 | 1 | 1N1430-24000 | PLUG, BLIND | 1 | | | | | | | |
| 16 | 1 | 1N1296-24020 | SCREW M12X180 | 1 | | | | | | | |
| 17 | 1 | 26717-120002 | NUT, M12 | 4 | | | | | | | |
| 18 | 1 | 22217-120000 | WASHER, SPRING 12 | 2 | | | | | | | |
| 19 | 1 | 1N3500-24030 | BRACKET, OUTER | 1 | | | | | | | |
| 20 | 1 | 26016-080164 | BOLT M 8X 16 | 2 | | | | | | | |

Fig.18. MAIN AXIS

(A)=FT25-24F1
(B)=
(C)=

(D)=
(E)=
(F)=

| No. | Lev. | Parts No. | Description | Q'ty | | | | | | I | R |
|-----|------|--------------|----------------------|------|-----|-----|-----|-----|-----|---|---|
| | | | | (A) | (B) | (C) | (D) | (E) | (F) | | |
| 1 | 1 | 1N3503-25000 | SHAFT | 1 | | | | | | | |
| 2 | 1 | 1N3503-25010 | GEAR 15-18 | 1 | | | | | | | |
| 3 | 1 | 24421-153007 | SEAL TC15 30 07, OIL | 1 | | | | | | | |
| 4 | 1 | 24101-062024 | BEARING, BALL 6202 | 1 | | | | | | | |
| 5 | 1 | 1N3503-25020 | GEAR 31 | 1 | | | | | | | |
| 6 | 1 | 24101-060034 | BEARING, BALL 6003 | 1 | | | | | | | |
| 7 | 1 | 1N3503-25260 | BUSH 161810 | 1 | | | | | | | |

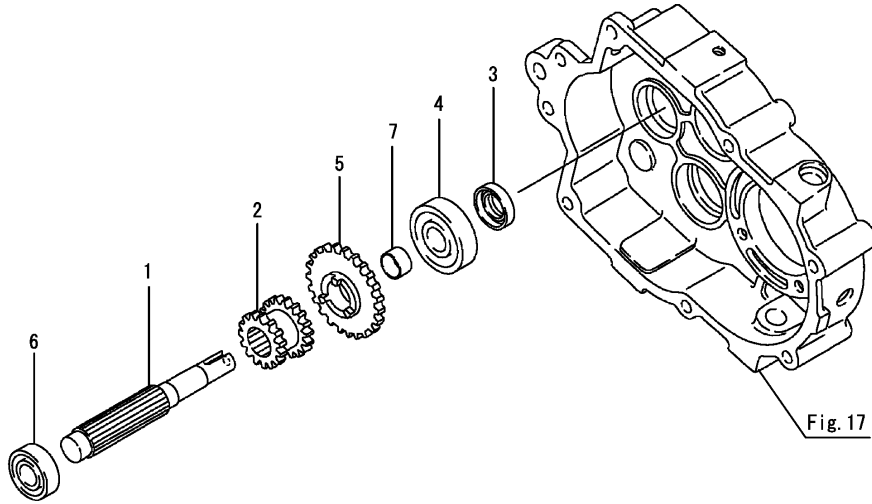


Fig. 17

Fig.19. MISSION AXIS B

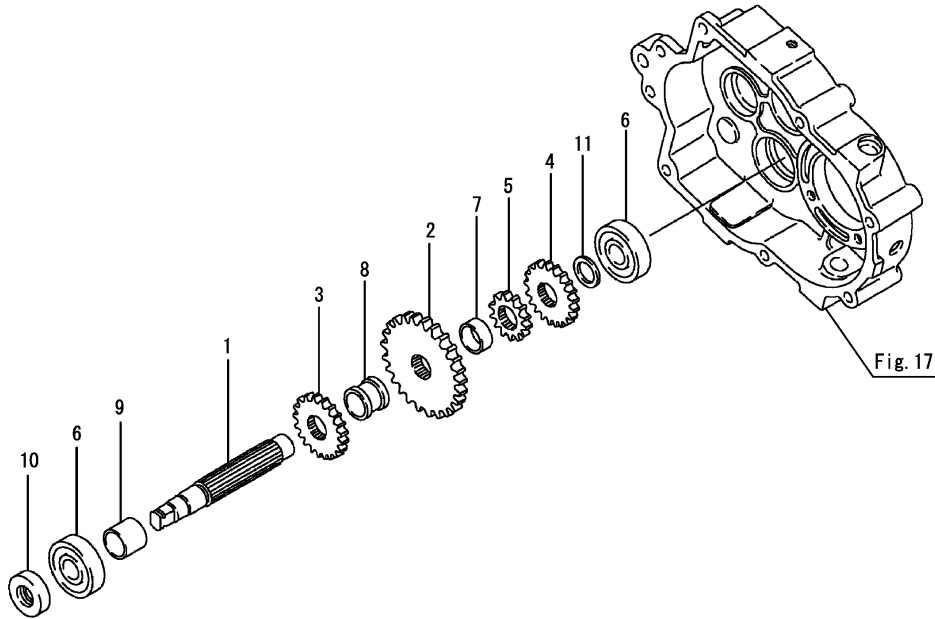


Fig. 17

(A)=FT25-24F1
(B)=
(C)=

(D)=
(E)=
(F)=

| No. | Lev. | Parts No. | Description | Q'ty | | | | | | I | R |
|-----|------|--------------|--------------------|------|-----|-----|-----|-----|-----|---|---|
| | | | | (A) | (B) | (C) | (D) | (E) | (F) | | |
| 1 | 1 | 1N3503-25030 | SHAFT, 2ND | 1 | | | | | | | |
| 2 | 1 | 1N3503-25040 | GEAR 39 | 1 | | | | | | | |
| 3 | 1 | 1N3503-25050 | GEAR 25 | 1 | | | | | | | |
| 4 | 1 | 1N3503-25060 | GEAR 25 | 1 | | | | | | | |
| 5 | 1 | 1N3503-25070 | GEAR 15 | 1 | | | | | | | |
| 6 | 1 | 24101-062034 | BEARING, BALL 6203 | 2 | | | | | | | |
| 7 | 1 | 1N3503-25080 | COLLAR | 1 | | | | | | | |
| 8 | 1 | 1N3503-25090 | COLLAR | 1 | | | | | | | |
| 9 | 1 | 1N3503-25100 | COLLAR | 1 | | | | | | | |
| 10 | 1 | 24421-173507 | SEAL, OIL TC173507 | 1 | | | | | | | |
| 11 | 1 | 1N3503-25280 | LINER | 1 | | | | | | | |

Fig.20. SIDE CLUTCH AXIS

(A)=FT25-24F1
(B)=
(C)=

(D)=
(E)=
(F)=

| No. | Lev. | Parts No. | Description | Qty | | | | | | I | R |
|-----|------|--------------|--------------------|-----|-----|-----|-----|-----|-----|---|---|
| | | | | (A) | (B) | (C) | (D) | (E) | (F) | | |
| 1 | 1 | 1N3503-25110 | SHAFT, 3RD | 1 | | | | | | | |
| 2 | 1 | 1N3503-25120 | GEAR 31-41 | 1 | | | | | | | |
| 3 | 1 | 24101-062034 | BEARING, BALL 6203 | 2 | | | | | | | |
| 4 | 1 | 1N3503-25130 | GEAR 41 | 1 | | | | | | | |
| 5 | 1 | 1N3503-25140 | GEAR 41 | 1 | | | | | | | |
| 6 | 1 | 22242-000170 | RING, 17 | 1 | | | | | | | |
| 7 | 1 | 1N3503-25270 | BUSH 222512 | 1 | | | | | | | |
| 8 | 1 | 1N3503-25300 | COLLAR | 1 | | | | | | | |

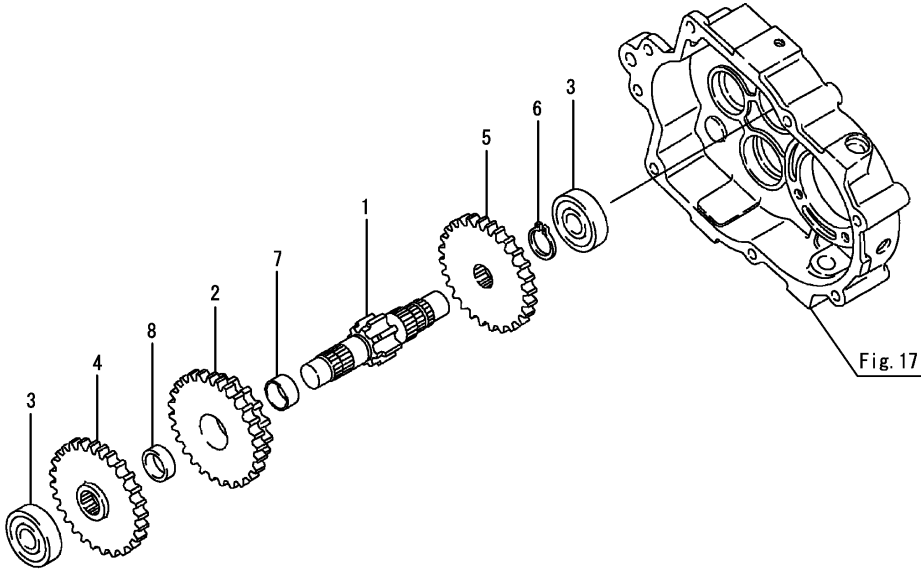
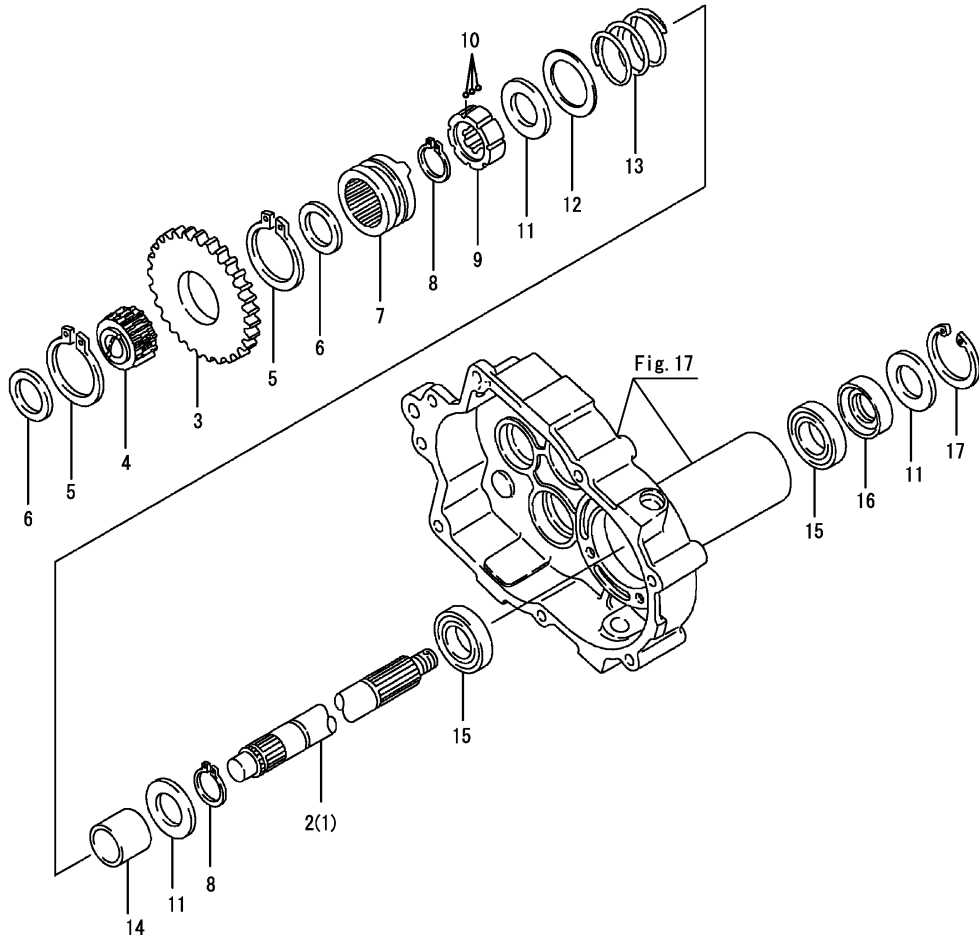


Fig.21. AXLE



(A)=FT25-24F1
(B)=
(C)=

(D)=
(E)=
(F)=

| No. | Lev. | Parts No. | Description | Q'ty | | | | | | I | R |
|-----|------|--------------|----------------------|------|-----|-----|-----|-----|-----|---|---|
| | | | | (A) | (B) | (C) | (D) | (E) | (F) | | |
| 1 | 1 | 1N3503-25150 | SHAFT(L) | 1 | | | | | | | |
| 2 | 1 | 1N3503-25160 | AXLE R | 1 | | | | | | | |
| 3 | 1 | 1N3503-25170 | GEAR 46 | 1 | | | | | | | |
| 4 | 1 | 1N1291-25110 | GEAR 28,CLUTCH | 1 | | | | | | | |
| 5 | 1 | 22242-000500 | RING, 50 | 2 | | | | | | | |
| 6 | 1 | 1N1291-25120 | PLATE,BALL SUPPORTG | 2 | | | | | | | |
| 7 | 1 | 1N1291-25135 | GEAR 28,SIDE CLUTCH | 2 | | | | | | | |
| 8 | 1 | 22242-000250 | RING, 25 | 4 | | | | | | | |
| 9 | 1 | 1N1291-25140 | BOSS,DRIVE | 2 | | | | | | | |
| 10 | 1 | 1N1291-25150 | BALL 4,STEEL | 42 | | | | | | | |
| 11 | 1 | 1N1291-25200 | COVER,OIL SEAL | 6 | | | | | | | |
| 12 | 1 | 1N1291-25170 | LINER 2.0X35.5X50 | 2 | | | | | | | |
| 13 | 1 | 1N1291-25180 | SPRING,CLUTCH | 2 | | | | | | | |
| 14 | 1 | 1N1291-25190 | COLLAR 25.2X31.8X27. | 2 | | | | | | | |
| 15 | 1 | 24101-060054 | BEARING, BALL 6005 | 4 | | | | | | | |
| 16 | 1 | 24421-254708 | SEAL, OIL TC254708 | 2 | | | | | | | |
| 17 | 1 | 22252-000470 | RING, 47 | 2 | | | | | | | |

Fig.22. BRAKE

(A)=FT25-24F1
(B)=
(C)=

(D)=
(E)=
(F)=

| No. | Lev. | Parts No. | Description | Qty | | | | | | I | R |
|-----|------|--------------|---------------------|-----|-----|-----|-----|-----|-----|---|---|
| | | | | (A) | (B) | (C) | (D) | (E) | (F) | | |
| 1 | 1 | 1N3503-25220 | MOUNT,BRAKE | 1 | | | | | | | |
| 2 | 1 | 26557-060122 | SCREW, M6X12 | 4 | | | | | | | |
| 3 | 1 | 22217-060000 | WASHER, SPRING 6 | 4 | | | | | | | |
| 4 | 1 | 1N3503-25230 | DRUM, BREAK | 1 | | | | | | | |
| 5 | 1 | 22242-000140 | RING, 14 | 1 | | | | | | | |
| 6 | 1 | 1N1291-25230 | PACKING,BRAKE PLATE | 1 | | | | | | | |
| 7 | 1 | 1N3503-25250 | PLATE COMP.,BRAKE | 1 | | | | | | | |
| 8 | 1 | 7N3503-25000 | BRAKE SHOE ASSY. | 1 | | | | | | | |
| 9 | 1 | 1N3503-25240 | BOLT 6X12 | 3 | | | | | | | |
| 10 | 1 | 22217-060000 | WASHER, SPRING 6 | 3 | | | | | | | |
| 11 | 1 | 22137-060000 | WASHER, 6 | 3 | | | | | | | |

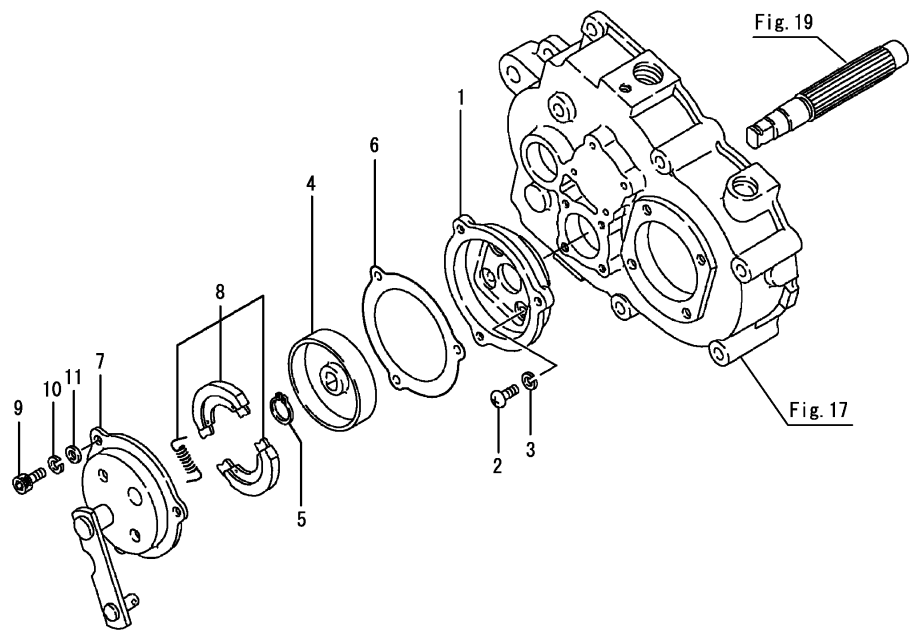
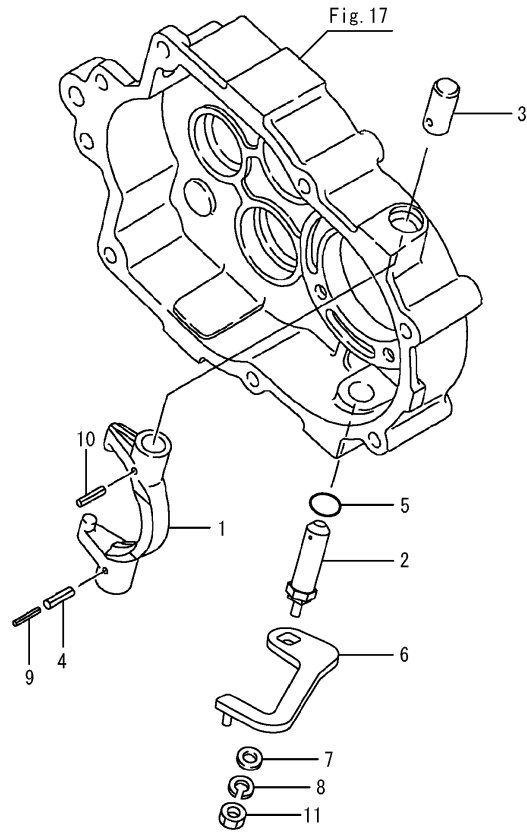


Fig.23. SIDE CLUTCH



(A)=FT25-24F1
(B)=
(C)=

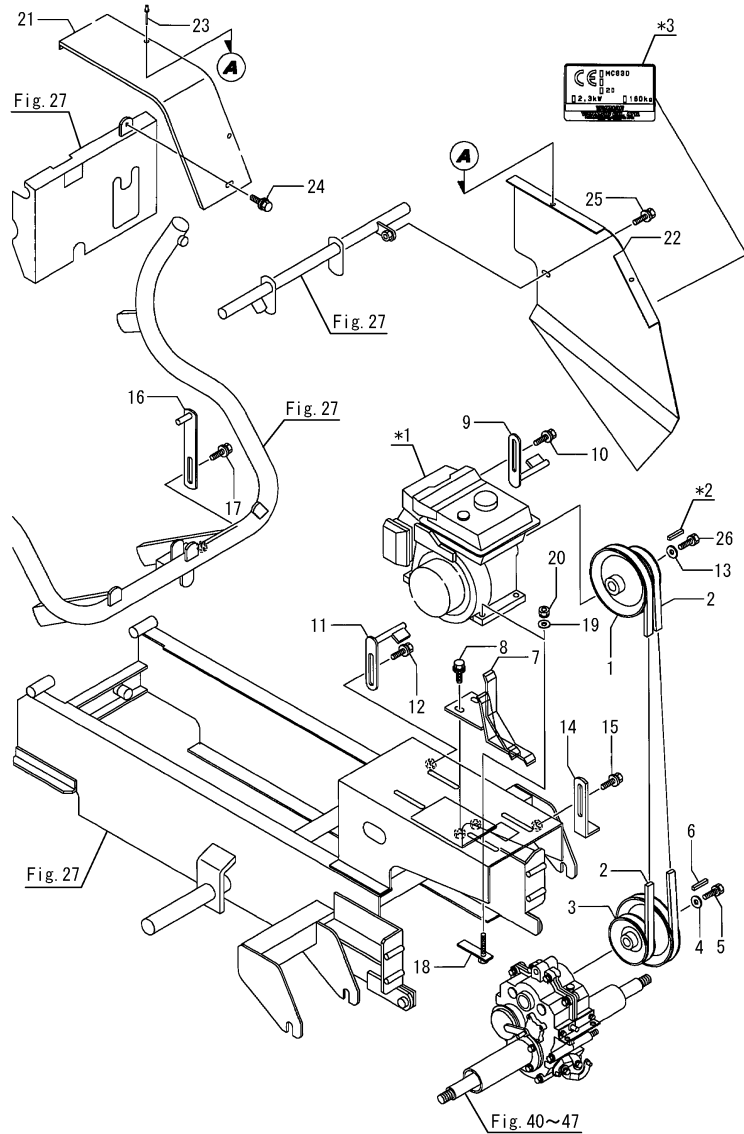
(D)=
(E)=
(F)=

| No. | Lev. | Parts No. | Description | Q'ty | | | | | | I | R |
|-----|------|--------------|----------------------|------|-----|-----|-----|-----|-----|---|---|
| | | | | (A) | (B) | (C) | (D) | (E) | (F) | | |
| 1 | 1 | 1N3503-25180 | LEVER | 2 | | | | | | | |
| 2 | 1 | 1N3503-25190 | PIN,SHIFT LEVER UPPR | 2 | | | | | | | |
| 3 | 1 | 1N1296-25070 | PIN,SHIFT LEVER LOWR | 2 | | | | | | | |
| 4 | 1 | 22351-060022 | PIN, SPRING 6.0X22 | 2 | | | | | | | |
| 5 | 1 | 24311-000140 | O-RING, 1AP14.0 | 2 | | | | | | | |
| 6 | 1 | 1N3503-25210 | SIDE CLUTCH LEVER | 2 | | | | | | | |
| 7 | 1 | 22137-080000 | WASHER, 8 | 2 | | | | | | | |
| 8 | 1 | 22217-080000 | WASHER, SPRING 8 | 2 | | | | | | | |
| 9 | 1 | 22351-035022 | PIN, SPRING 3.5X22 | 2 | | | | | | | |
| 10 | 1 | 1N3503-25310 | PIN,ROLL 5X22 | 2 | | | | | | | |
| 11 | 1 | 26717-080002 | NUT, M8 | 2 | | | | | | | |

Fig.26. BELT PULLEY

(A)=MC930-PQ
(B)=
(C)=

(D)=
(E)=
(F)=



| No. | Lev. | Parts No. | Description | Q'ty | | | | | | I | R |
|-----|------|--------------|---------------------|------|-----|-----|-----|-----|-----|---|---|
| | | | | (A) | (B) | (C) | (D) | (E) | (F) | | |
| 1 | 1 | 1N3504-21000 | PULLEY,ENGINE | 1 | | | | | | | |
| 2 | 1 | 25123-003001 | V-BELT, B30H | 2 | | | | | | | |
| 3 | 1 | 1N3504-21010 | PULLEY,TRANSMISSION | 1 | | | | | | | |
| 4 | 1 | 1N3502-22170 | WASHER | 1 | | | | | | | |
| 5 | 1 | 26016-060164 | BOLT 6X16 W/L.W. | 1 | | | | | | | |
| 6 | 1 | 22550-050251 | KEY, 5X 25 | 1 | | | | | | | |
| 7 | 1 | 1N3504-22030 | GUIDE,BELT C | 1 | | | | | | | |
| 8 | 1 | 26018-080204 | BOLT M 8X 20 | 2 | | | | | | | |
| 9 | 1 | 1N3504-22070 | GUIDE,BELT D | 1 | | | | | | | |
| 10 | 1 | 26018-080164 | BOLT M 8X 16 | 1 | | | | | | | |
| 11 | 1 | 1N3504-22080 | GUIDE,BELT E | 1 | | | | | | | |
| 12 | 1 | 26018-080204 | BOLT M 8X 20 | 1 | | | | | | | |
| 13 | 1 | 1N3502-21020 | WASHER 22X8.5 | 1 | | | | | | | |
| 14 | 1 | 1N3504-22000 | GUIDE A,BELT | 1 | | | | | | | |
| 15 | 1 | 26018-080254 | BOLT M 8X 25 | 1 | | | | | | | |
| 16 | 1 | 1N3504-22010 | GUIDE 12X150,BELT | 1 | | | | | | | |
| 17 | 1 | 26018-080204 | BOLT M 8X 20 | 1 | | | | | | | |
| 18 | 1 | 1N3503-16000 | BOLT M8X45 | 4 | | | | | | | |
| 19 | 1 | 22137-080000 | WASHER, 8 | 4 | | | | | | | |
| 20 | 1 | 26051-080002 | NUT, M8 | 4 | | | | | | | |
| 21 | 1 | 1N3504-58030 | PURRY COVER | 1 | | | | | | | |
| 22 | 1 | 1N3504-58020 | PURRY COVER | 1 | | | | | | | |
| 23 | 1 | 1N3503-58120 | RIVET | 2 | | | | | | | |
| 24 | 1 | 26018-060124 | BOLT M 6X 12 | 1 | | | | | | | |
| 25 | 1 | 26018-060164 | BOLT M 6X 16 | 1 | | | | | | | |
| 26 | 1 | 26018-080202 | BOLT, M8X 20 | 1 | | | | | | | |

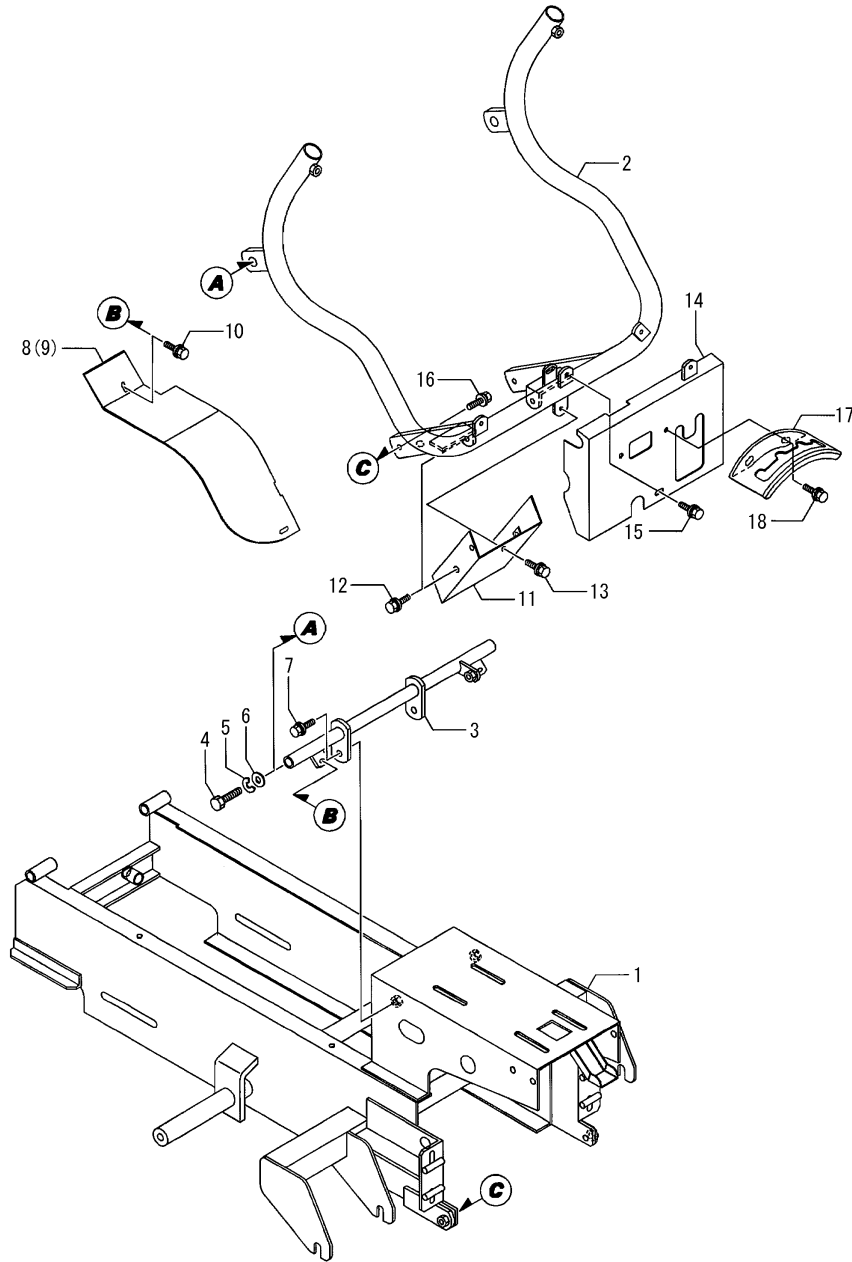
Remarks

- *1. Engine assy. (GB130LN-255)
- *2. Engine parts.
- *3. Label model. (Not sold.)

Fig.27. MAIN BODY FRAME

(A)=MC930-PQ
(B)=
(C)=

(D)=
(E)=
(F)=

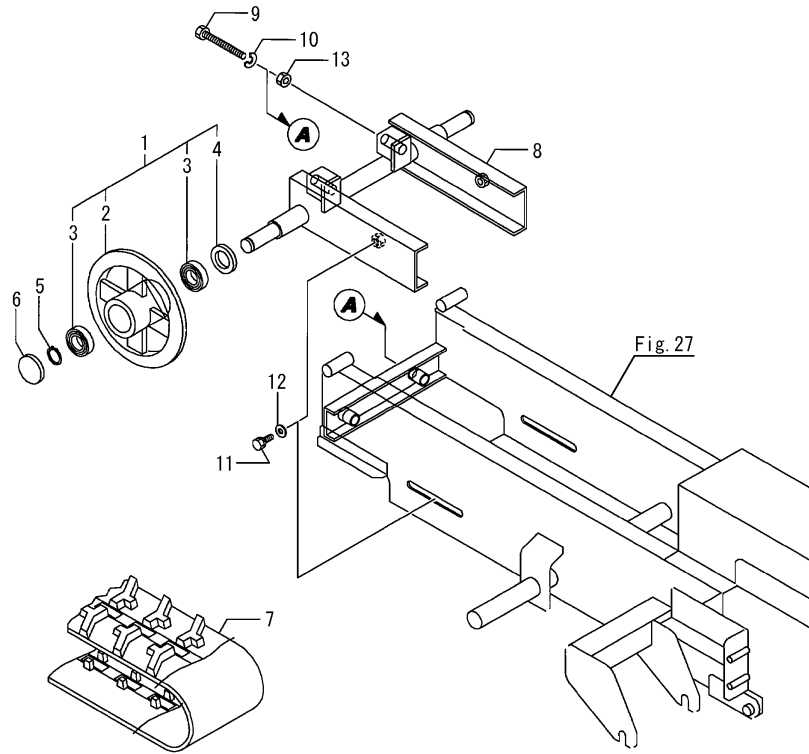


| No. | Lev. | Parts No. | Description | Q'ty | | | | | | I | R |
|-----|------|--------------|-------------------|------|-----|-----|-----|-----|-----|---|---|
| | | | | (A) | (B) | (C) | (D) | (E) | (F) | | |
| 1 | 1 | 1N3504-31001 | FRAME,BODY | 1 | | | | | | | |
| 2 | 1 | 1N3504-54000 | STEP | 1 | | | | | | | |
| 3 | 1 | 1N3504-54071 | SHAFT,STEP | 1 | | | | | | | |
| 4 | 1 | 26117-140404 | BOLT 14X40 | 2 | | | | | | | |
| 5 | 1 | 22217-140000 | WASHER, SPRING 14 | 2 | | | | | | | |
| 6 | 1 | 22137-140000 | WASHER, 14 | 2 | | | | | | | |
| 7 | 1 | 26018-100254 | BOLT M10X 25 | 2 | | | | | | | |
| 8 | 1 | 1N3504-58061 | FENDER (L) | 1 | | | | | | | |
| 9 | 1 | 1N3504-58070 | FENDER R | 1 | | | | | | | |
| 10 | 1 | 26018-060124 | BOLT M 6X 12 | 4 | | | | | | | |
| 11 | 1 | 1N3504-58000 | PROTECTOR | 1 | | | | | | | |
| 12 | 1 | 26018-080164 | BOLT M 8X 16 | 2 | | | | | | | |
| 13 | 1 | 26018-060124 | BOLT M 6X 12 | 1 | | | | | | | |
| 14 | 1 | 1N3504-58160 | FENDER | 1 | | | | | | | |
| 15 | 1 | 26018-060124 | BOLT M 6X 12 | 1 | | | | | | | |
| 16 | 1 | 26018-100254 | BOLT M10X 25 | 2 | | | | | | | |
| 17 | 1 | 1N3504-58180 | PLATE,CHENGE | 1 | | | | | | | |
| 18 | 1 | 26018-060164 | BOLT M 6X 16 | 2 | | | | | | | |

Fig.28. IDLER

(A)=MC930-PQ
(B)=
(C)=

(D)=
(E)=
(F)=

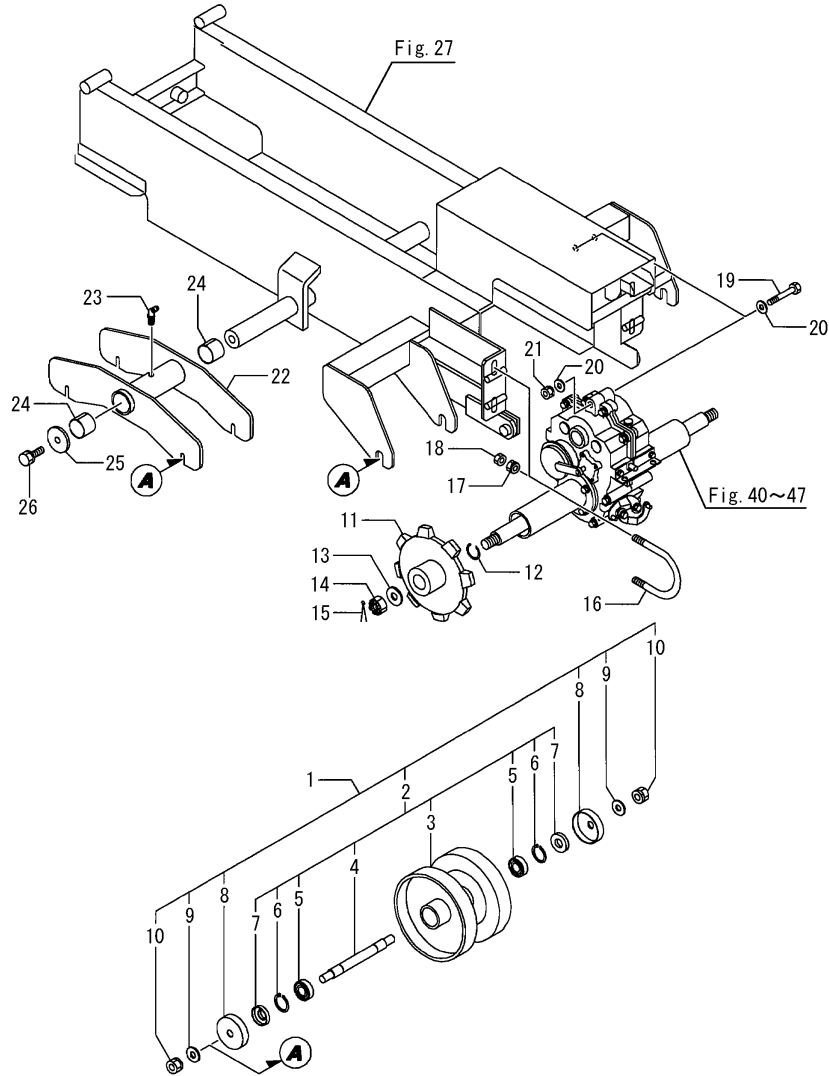


| No. | Lev. | Parts No. | Description | Q'ty | | | | | | I | R |
|-----|------|--------------|----------------------|------|-----|-----|-----|-----|-----|---|---|
| | | | | (A) | (B) | (C) | (D) | (E) | (F) | | |
| 1 | 1 | 7N3503-35000 | FLOAT RING ASSY. | 2 | | | | | | | |
| 2 | 2 | 1N3503-35070 | WHEEL, IDLE | 2 | | | | | | | |
| 3 | 2 | 24101-060054 | BEARING, BALL 6005 | 4 | | | | | | | |
| 4 | 2 | 24421-304707 | SEAL, OIL TC304707 | 2 | | | | | | | |
| 5 | 1 | 22242-000250 | RING, 25 | 2 | | | | | | | |
| 6 | 1 | 1N3506-35020 | SEAL CAP | 2 | | | | | | | |
| 7 | 1 | 1N3503-37000 | CRAWLAR 180X60X37 | 2 | | | | | | | |
| 8 | 1 | 1N3504-35000 | BRACKET, FLOAT RING | 1 | | | | | | | |
| 9 | 1 | 26117-141504 | BOLT, M14X150 PLATED | 2 | | | | | | | |
| 10 | 1 | 22217-140000 | WASHER, SPRING 14 | 2 | | | | | | | |
| 11 | 1 | 1E1116-47090 | BOLT 12X30 | 2 | | | | | | | |
| 12 | 1 | 22137-120000 | WASHER, 12 | 2 | | | | | | | |
| 13 | 1 | 26757-140002 | NUT, LOCK M14 | 2 | | | | | | | |

Fig.29. TRACK ROLLER

(A)=MC930-PQ
(B)=
(C)=

(D)=
(E)=
(F)=

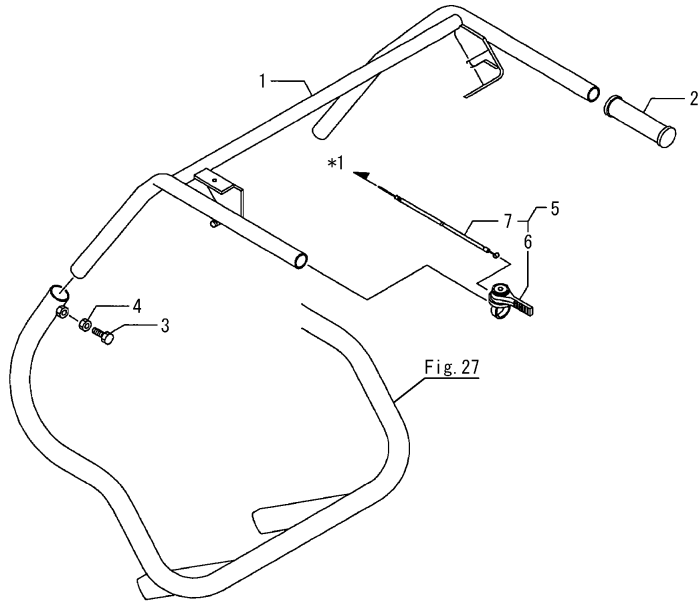


| No. | Lev. | Parts No. | Description | Q'ty | | | | | | I | R |
|-----|------|--------------|----------------------|------|-----|-----|-----|-----|-----|---|---|
| | | | | (A) | (B) | (C) | (D) | (E) | (F) | | |
| 1 | 1 | 7N3563-36010 | LWR.TRANK ROLLER SET | 6 | | | | | | | |
| 2 | 2 | 7N3563-36000 | LWR.TRANK ROLLER ASY | 6 | | | | | | | |
| 3 | 3 | 1N3520-36230 | ROLLER,LOWER TRACK | 6 | | | | | | | |
| 4 | 3 | 1N3563-36010 | SHAFT | 6 | | | | | | | |
| 5 | 3 | 24101-060044 | BEARING, BALL 6004 | 12 | | | | | | | |
| 6 | 3 | 22242-000200 | RING, 20 | 12 | | | | | | | |
| 7 | 3 | 1N1101-36041 | SEAL 204212,OIL | 12 | | | | | | | |
| 8 | 2 | 1N3520-35020 | COVER,OIL SEAL | 12 | | | | | | | |
| 9 | 2 | 22137-120000 | WASHER, 12 | 12 | | | | | | | |
| 10 | 2 | 26051-120002 | NUT, M12 | 12 | | | | | | | |
| 11 | 1 | 1N3503-35060 | SPROCKET | 2 | | | | | | | |
| 12 | 1 | 1N3504-53000 | CIRCLIP | 2 | | | | | | | |
| 13 | 1 | 22137-160000 | WASHER, 16 | 2 | | | | | | | |
| 14 | 1 | 26817-160002 | NUT, CASTLE M16 | 2 | | | | | | | |
| 15 | 1 | 22417-400400 | PIN, COTTER 4.0X40 | 2 | | | | | | | |
| 16 | 1 | 1N3501-35030 | U-BOLT | 2 | | | | | | | |
| 17 | 1 | 26052-100002 | NUT, M10 | 4 | | | | | | | |
| 18 | 1 | 26757-100002 | NUT, LOCK M10 | 4 | | | | | | | |
| 19 | 1 | 26117-100702 | BOLT M10X 70 PLATED | 1 | | | | | | | |
| 20 | 1 | 22137-100000 | WASHER, 10 | 2 | | | | | | | |
| 21 | 1 | 26051-100002 | NUT, M10 | 1 | | | | | | | |
| 22 | 1 | 1N3503-36000 | ICORADER | 2 | | | | | | | |
| 23 | 1 | 1N3505-33040 | NIPPLE BMT6X1,GREASE | 2 | | | | | | | |
| 24 | 1 | 1E1107-62040 | LINER | 4 | | | | | | | |
| 25 | 1 | 1E1102-71190 | WASHER | 2 | | | | | | | |
| 26 | 1 | 1E1116-47090 | BOLT 12X30 | 2 | | | | | | | |

Fig.30. STEERING WHEEL

(A)=MC930-PQ
(B)=
(C)=

(D)=
(E)=
(F)=



| No. | Lev. | Parts No. | Description | Q'ty | | | | | | I | R |
|-----|------|--------------|----------------------|------|-----|-----|-----|-----|-----|---|---|
| | | | | (A) | (B) | (C) | (D) | (E) | (F) | | |
| 1 | 1 | 1N3503-47001 | HANDLE | 1 | | | | | | | |
| 2 | 1 | 1N1313-44001 | GRIP (25.4) | 2 | | | | | | | |
| 3 | 1 | 26117-100254 | BOLT, M10X 25 PLATED | 2 | | | | | | | |
| 4 | 1 | 26757-100002 | NUT, LOCK M10 | 2 | | | | | | | |
| 5 | 1 | 7N3561-51000 | LEVER,ACCELE | 1 | | | | | | | |
| 6 | 2 | 1N3503-51010 | LEVER 25,AXLE | 1 | | | | | | | |
| 7 | 2 | 1N3561-51070 | WIRE,ACCELE | 1 | | | | | | | |

Remarks

*1. To the engine parts.

Fig.31. RUNNING CLUTCH LEVER

(A)=MC930-PQ
(B)=
(C)=

(D)=
(E)=
(F)=

| No. | Lev. | Parts No. | Description | Q'ty | | | | | | I | R |
|-----|------|--------------|------------------|------|-----|-----|-----|-----|-----|---|---|
| | | | | (A) | (B) | (C) | (D) | (E) | (F) | | |
| 1 | 1 | 1N3503-42001 | LEVER, OPERATION | 1 | | | | | | | |
| 2 | 1 | 22137-100000 | WASHER, 10 | 2 | | | | | | | |
| 3 | 1 | 22242-000100 | RING, 10 | 2 | | | | | | | |
| 4 | 1 | 1N3503-53020 | SPRING | 1 | | | | | | | |
| 5 | 1 | 1N3503-53010 | SPRING | 1 | | | | | | | |
| 6 | 1 | 1N3504-51000 | WIRE, CONTROL | 1 | | | | | | | |
| 7 | 1 | 22137-080000 | WASHER, 8 | 1 | | | | | | | |
| 8 | 1 | 1N3513-42160 | PIN | 1 | | | | | | | |

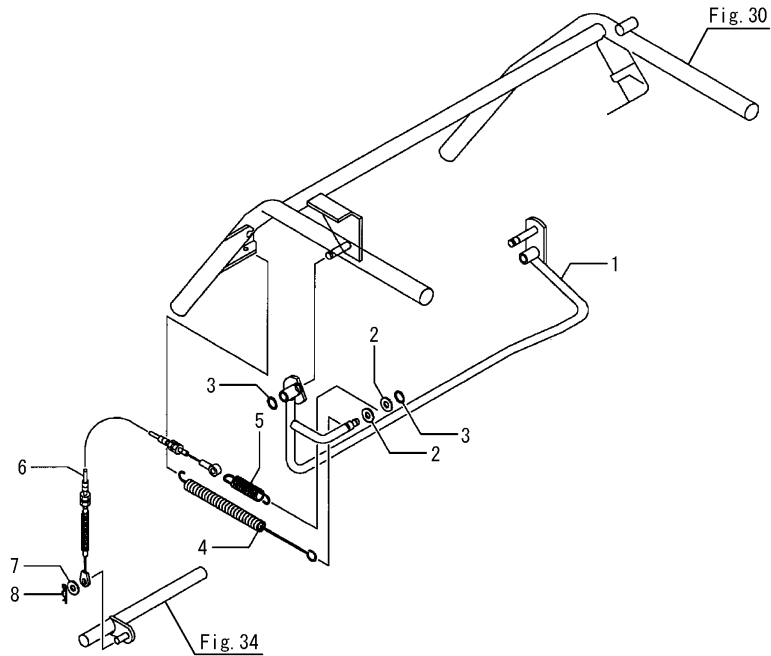


Fig.33. MAIN GEARSHIFT

(A)=MC930-PQ
(B)=
(C)=

(D)=
(E)=
(F)=

| No. | Lev. | Parts No. | Description | Q'ty | | | | | | I | R |
|-----|------|--------------|----------------------|------|-----|-----|-----|-----|-----|---|---|
| | | | | (A) | (B) | (C) | (D) | (E) | (F) | | |
| 1 | 1 | 1N3504-41140 | CHANGE LEVER | 1 | | | | | | | |
| 2 | 1 | 1N1432-44000 | KNOB | 1 | | | | | | | |
| 3 | 1 | 22351-060030 | PIN, SPRING 6.0X30 | 1 | | | | | | | |
| 4 | 1 | 22351-035030 | PIN, SPRING 3.5X30 | 1 | | | | | | | |
| 5 | 1 | 1N3565-41080 | SPRING 1.6X29.5 | 1 | | | | | | | |
| 6 | 1 | 1N1151-53000 | SPRING 12.5X54,TENS. | 1 | | | | | | | |

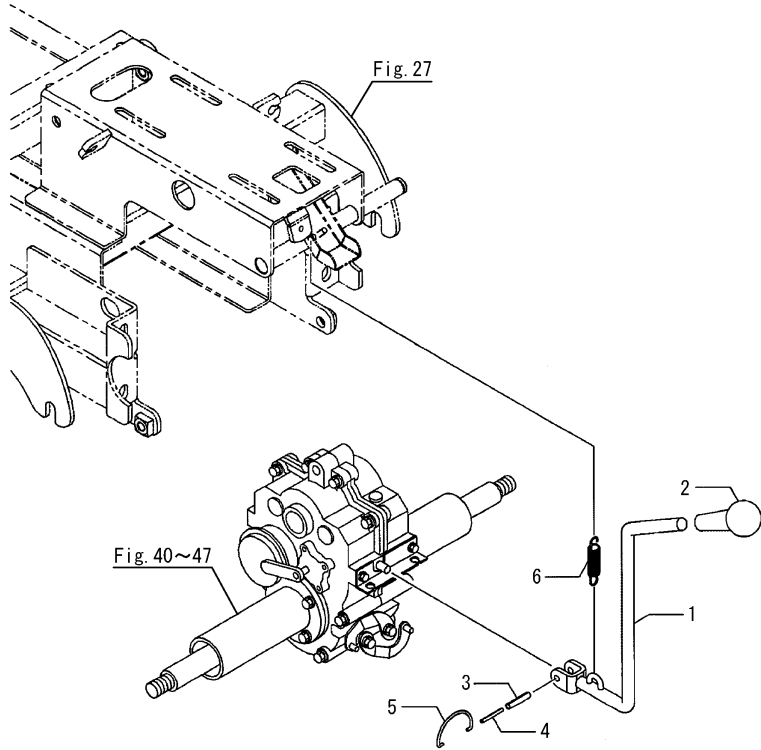
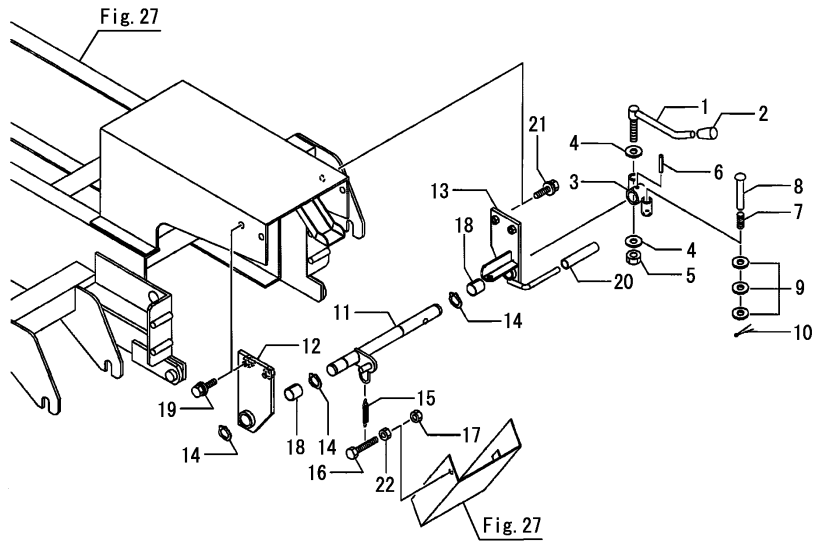


Fig.34. SUB CHANGE LEVER



(A)=MC930-PQ
(B)=
(C)=

(D)=
(E)=
(F)=

| No. | Lev. | Parts No. | Description | Q'ty | | | | | | I | R |
|-----|------|--------------|-----------------------|------|-----|-----|-----|-----|-----|---|---|
| | | | | (A) | (B) | (C) | (D) | (E) | (F) | | |
| 1 | 1 | 1N3504-41120 | LEVER,SUB-CHANGE | 1 | | | | | | | |
| 2 | 1 | 1N1216-44010 | GRIP | 1 | | | | | | | |
| 3 | 1 | 1N3504-41080 | LINK,SUB-CHANGE | 1 | | | | | | | |
| 4 | 1 | 22137-100000 | WASHER, 10 | 2 | | | | | | | |
| 5 | 1 | 26347-100002 | NUT, M10 | 1 | | | | | | | |
| 6 | 1 | 22351-060030 | PIN, SPRING 6.0X30 | 1 | | | | | | | |
| 7 | 1 | 1N1151-53020 | SPRING 10.5X25,COMPR | 1 | | | | | | | |
| 8 | 1 | 1N1340-42040 | PIN,AXLE | 1 | | | | | | | |
| 9 | 1 | 22137-100000 | WASHER, 10 | 3 | | | | | | | |
| 10 | 1 | 22417-250200 | PIN, COTTER 2.5X20 | 1 | | | | | | | |
| 11 | 1 | 1N3504-41020 | SHAFT, LINK | 1 | | | | | | | |
| 12 | 1 | 1N3504-22170 | BRACKET, SHAFT L | 1 | | | | | | | |
| 13 | 1 | 1N3504-22240 | CARRIER R-PQ, TENSION | 1 | | | | | | | |
| 14 | 1 | 22242-000180 | RING, 18 | 3 | | | | | | | |
| 15 | 1 | 1N3503-53030 | SPRING | 1 | | | | | | | |
| 16 | 1 | 26117-060254 | BOLT M 6X 25 PLATED | 1 | | | | | | | |
| 17 | 1 | 26367-060002 | NUT, M6 | 1 | | | | | | | |
| 18 | 1 | 1E1107-62000 | LINER M | 2 | | | | | | | |
| 19 | 1 | 26018-080204 | BOLT M 8X 20 | 3 | | | | | | | |
| 20 | 1 | 1N3504-22220 | HOSE | 1 | | | | | | | |
| 21 | 1 | 26018-080254 | BOLT M 8X 25 | 1 | | | | | | | |
| 22 | 1 | 26051-060002 | NUT, M6 | 1 | | | | | | | |

Fig.35. SIDE CLUTCH LEVER

(A)=MC930-PQ
(B)=
(C)=

(D)=
(E)=
(F)=

| No. | Lev. | Parts No. | Description | Q'ty | | | | | | I | R |
|-----|------|--------------|------------------|------|-----|-----|-----|-----|-----|---|---|
| | | | | (A) | (B) | (C) | (D) | (E) | (F) | | |
| 1 | 1 | 1E1140-51040 | LEVER | 2 | | | | | | | |
| 2 | 2 | 26014-060259 | BOLT, M6X 25 | 2 | | | | | | | |
| 3 | 1 | 1N3503-51101 | WIRE,SIDE CLUTCH | 2 | | | | | | | |
| 4 | 1 | 22137-080000 | WASHER, 8 | 2 | | | | | | | |
| 5 | 1 | 1N3513-42160 | PIN | 2 | | | | | | | |

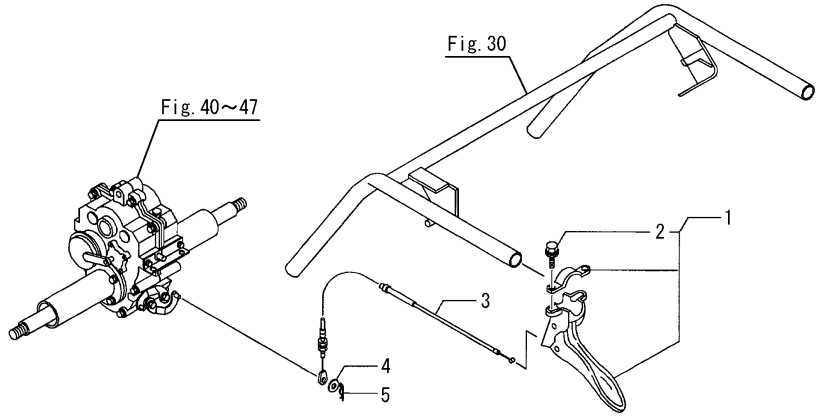
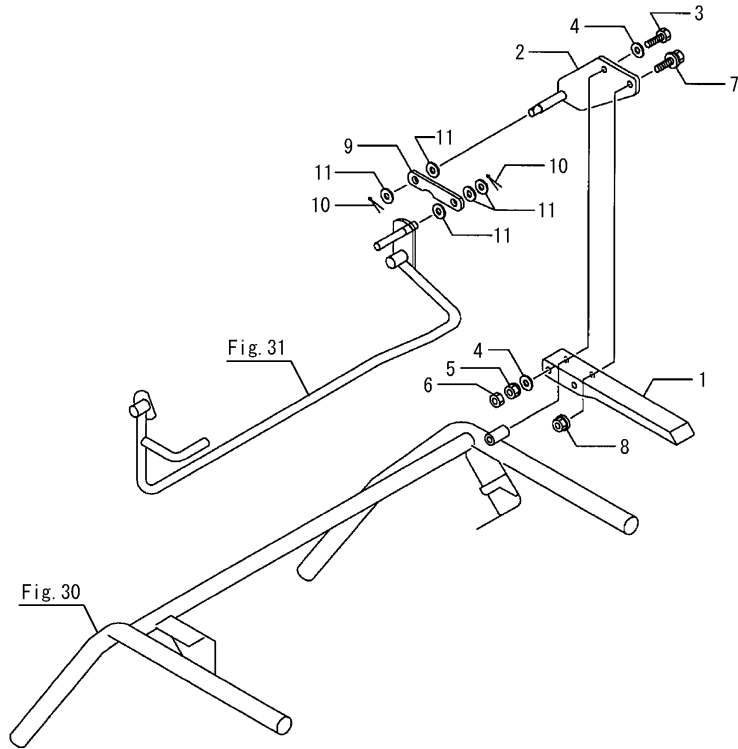


Fig.36. DEADMAN LEVER

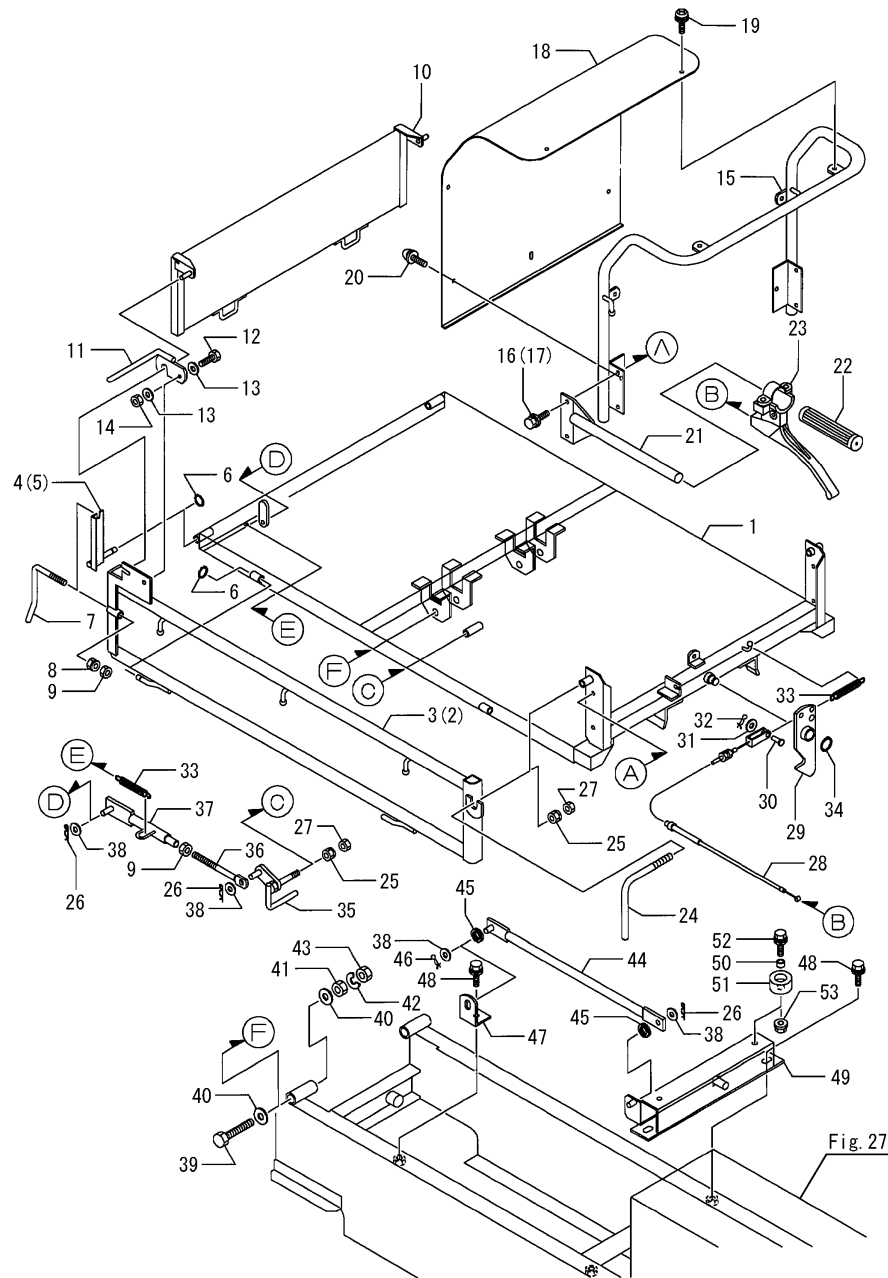
(A)=MC930-PQ
(B)=
(C)=

(D)=
(E)=
(F)=



| No. | Lev. | Parts No. | Description | Q'ty | | | | | | I | R |
|-----|------|--------------|---------------------|------|-----|-----|-----|-----|-----|---|---|
| | | | | (A) | (B) | (C) | (D) | (E) | (F) | | |
| 1 | 1 | 1N1723-31360 | LEVER,DEADMAN | 1 | | | | | | | |
| 2 | 1 | 1N3503-42040 | BRACKET DEADMAN | 1 | | | | | | | |
| 3 | 1 | 26116-080552 | BOLT, M8X 55 PLATED | 1 | | | | | | | |
| 4 | 1 | 22137-080000 | WASHER, 8 | 7 | | | | | | | |
| 5 | 1 | 26347-080002 | NUT, M8 | 1 | | | | | | | |
| 6 | 1 | 26757-080002 | NUT, LOCK M8 | 1 | | | | | | | |
| 7 | 1 | 26018-080204 | BOLT M 8X 20 | 1 | | | | | | | |
| 8 | 1 | 26367-080002 | NUT, M8 | 1 | | | | | | | |
| 9 | 1 | 1N3503-42071 | LEVER CONNECTING | 1 | | | | | | | |
| 10 | 1 | 22417-250200 | PIN, COTTER 2.5X20 | 2 | | | | | | | |
| 11 | 1 | 22137-100000 | WASHER, 10 | 5 | | | | | | | |

Fig.37. TRANSPORTATION STAND



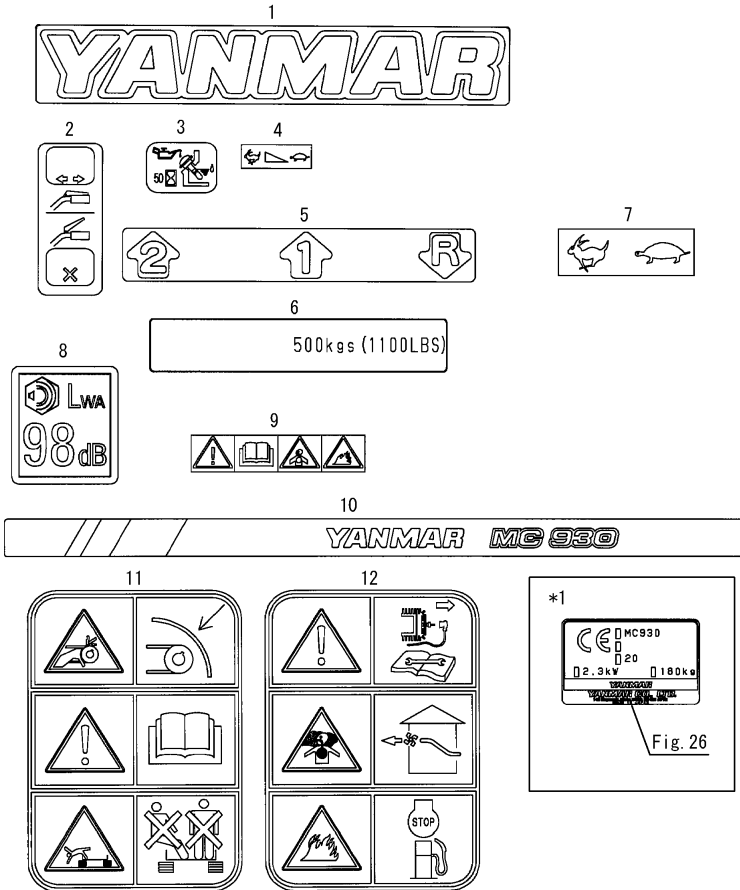
| No. | Lev. | Parts No. | Description | Q'ty | | | | | | I | R |
|-----|------|--------------|----------------------|------|-----|-----|-----|-----|-----|---|---|
| | | | | (A) | (B) | (C) | (D) | (E) | (F) | | |
| 1 | 1 | 1N3503-74010 | CARRIER H,PLATFORM | 1 | | | | | | | |
| 2 | 1 | 1N3503-65380 | PLATE L,SIDE | 1 | | | | | | | |
| 3 | 1 | 1N3503-65370 | BOARD R,SIDE | 1 | | | | | | | |
| 4 | 1 | 1N3503-64930 | FIXTURE L,SIDE PLATE | 1 | | | | | | | |
| 5 | 1 | 1N3503-64920 | FIXTURE R,SIDE PLATE | 1 | | | | | | | |
| 6 | 1 | 22272-000070 | RING, E- 7 | 4 | | | | | | | |
| 7 | 1 | 1N3542-65050 | HANDLE,SET | 2 | | | | | | | |
| 8 | 1 | 26051-080002 | NUT, M8 | 4 | | | | | | | |
| 9 | 1 | 26757-080002 | NUT, LOCK M8 | 5 | | | | | | | |
| 10 | 1 | 1N3503-66380 | FRONT PLATE | 1 | | | | | | | |
| 11 | 1 | 1N1540-66240 | LEVER,LOCK | 2 | | | | | | | |
| 12 | 1 | 26117-100254 | BOLT, M10X 25 PLATED | 2 | | | | | | | |
| 13 | 1 | 22137-100000 | WASHER, 10 | 4 | | | | | | | |
| 14 | 1 | 26347-100002 | NUT, M10 | 2 | | | | | | | |
| 15 | 1 | 1N3503-66350 | REAR PLATE | 1 | | | | | | | |
| 16 | 1 | 26018-080254 | BOLT M 8X 25 | 2 | | | | | | | |
| 17 | 1 | 26018-080204 | BOLT M 8X 20 | 2 | | | | | | | |
| 18 | 1 | 1N3503-66370 | PLATE,BACK | 1 | | | | | | | |
| 19 | 1 | 1N3503-66220 | SCREW 6X12 | 4 | | | | | | | |
| 20 | 1 | 1N3503-66230 | SCREW 6X15 | 2 | | | | | | | |
| 21 | 1 | 1N3503-74180 | LEVER, DUMP | 1 | | | | | | | |
| 22 | 1 | 1N3503-44010 | GRIP | 1 | | | | | | | |
| 23 | 1 | 1N3503-51060 | LEVER | 1 | | | | | | | |
| 24 | 1 | 1N3501-65000 | HANDLE 90X95,SET | 2 | | | | | | | |
| 25 | 1 | 26051-100002 | NUT, M10 | 3 | | | | | | | |
| 26 | 1 | 1N3513-42160 | PIN | 3 | | | | | | | |
| 27 | 1 | 26757-100002 | NUT, LOCK M10 | 2 | | | | | | | |
| 28 | 1 | 1N3503-51050 | WIRE,CARRIER LOCK | 1 | | | | | | | |
| 29 | 1 | 1N3503-64140 | CARRIER LOCK | 1 | | | | | | | |
| 30 | 1 | 1N1215-51000 | PIN 6X16,RIVET | 1 | | | | | | | |
| 31 | 1 | 22137-060000 | WASHER, 6 | 1 | | | | | | | |
| 32 | 1 | 1N3569-42000 | SNAP PIN 6 | 1 | | | | | | | |
| 33 | 1 | 1N1190-45000 | SPRING 11X72.5,TENS. | 2 | | | | | | | |
| 34 | 1 | 22242-000160 | RING, 16 | 1 | | | | | | | |
| 35 | 1 | 1N3503-64970 | LINK, LOCK | 1 | | | | | | | |
| 36 | 1 | 1N1360-22090 | SCREW 8X94,ADJUST | 1 | | | | | | | |
| 37 | 1 | 1N3503-64910 | ROD B,LOCK | 1 | | | | | | | |
| 38 | 1 | 22137-080000 | WASHER, 8 | 4 | | | | | | | |
| 39 | 1 | 26117-140902 | BOLT, M14X 90 PLATED | 1 | | | | | | | |
| 40 | 1 | 22137-140000 | WASHER, 14 | 4 | | | | | | | |
| 41 | 1 | 26717-140002 | NUT, M14 | 2 | | | | | | | |
| 42 | 1 | 22217-140000 | WASHER, SPRING 14 | 2 | | | | | | | |
| 43 | 1 | 26757-140002 | NUT, LOCK M14 | 2 | | | | | | | |
| 44 | 1 | 1N3504-64000 | BAR, BODY SUPPORT | 1 | | | | | | | |
| 45 | 1 | 1N3503-53050 | GROMMET 15 | 2 | | | | | | | |
| 46 | 1 | 22360-080000 | SNAP PIN 8 | 1 | | | | | | | |
| 47 | 1 | 1N3504-64020 | RETAINER | 1 | | | | | | | |
| 48 | 1 | 26018-080204 | BOLT M 8X 20 | 5 | | | | | | | |
| 49 | 1 | 1N3504-64030 | CARRIER | 1 | | | | | | | |
| 50 | 1 | 1N3503-64420 | COLLAR 8.8X12X8 | 2 | | | | | | | |
| 51 | 1 | 1N3503-44000 | RUBBER,STOPPER | 2 | | | | | | | |

N:Old $\begin{matrix} \text{Yes} \\ \text{No} \end{matrix}$ New, Q:Old $\begin{matrix} \text{No} \\ \text{Yes} \end{matrix}$ New, R:Old $\begin{matrix} \text{Yes} \\ \text{No} \end{matrix}$ New, S:Old $\begin{matrix} \text{No} \\ \text{Yes} \end{matrix}$ New, W:Add, Z:Discontinued, F:Interchangeable by set, K:Q'ty Change
 ++ CONTINUE ++
 Copyright (C) YANMAR CO., LTD. All Rights Reserved.

Fig.38. LABELS

(A)=MC930-PQ
(B)=
(C)=

(D)=
(E)=
(F)=



| No. | Lev. | Parts No. | Description | Q'ty | | | | | | I | R |
|-----|------|--------------|--------------------|------|-----|-----|-----|-----|-----|---|---|
| | | | | (A) | (B) | (C) | (D) | (E) | (F) | | |
| 1 | 1 | 1N1313-93030 | NAMER,SIDE | 2 | | | | | | | |
| 2 | 1 | 1N3506-93260 | LABEL,CLUTCH | 1 | | | | | | | |
| 3 | 1 | 1N3507-93160 | LEVEL,OIL | 1 | | | | | | | |
| 4 | 1 | 1N3503-93190 | LABEL, ACCEL | 1 | | | | | | | |
| 5 | 1 | 1N3504-93240 | LABEL,CHANGE | 1 | | | | | | | |
| 6 | 1 | 1N3506-93320 | PLATE 500K,LOADAGE | 1 | | | | | | | |
| 7 | 1 | 1N3504-93250 | LABEL,SUB-CHANGE | 1 | | | | | | | |
| 8 | 1 | 1N3504-93180 | LABEL 98DB,NOISE | 1 | | | | | | | |
| 9 | 1 | 1A0023-00050 | LABEL,CAUTION | 1 | | | | | | | |
| 10 | 1 | 1N3504-93230 | NAMER MC930, MODEL | 1 | | | | | | | |
| 11 | 1 | 1N3563-93020 | LABEL,SAFETY | 1 | | | | | | | |
| 12 | 1 | 1N3563-93050 | LABEL,SAFETY | 1 | | | | | | | |

Remarks

*1. Label model. (Not sold.)

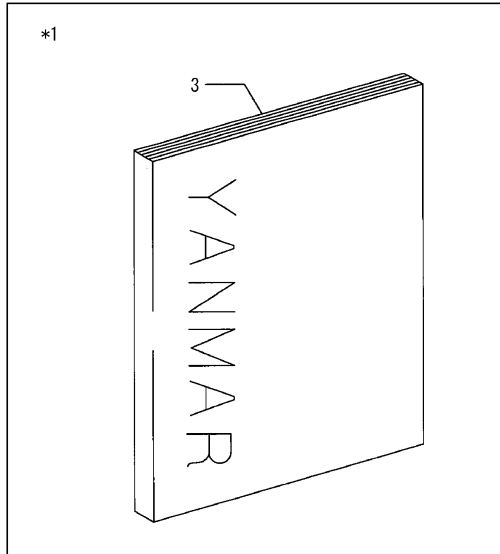
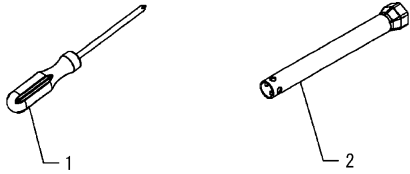
N:Old $\begin{matrix} \leftarrow \text{Yes} \\ \text{No} \end{matrix}$ New, Q:Old $\begin{matrix} \leftarrow \text{No} \\ \text{Yes} \end{matrix}$ New, R:Old $\begin{matrix} \leftarrow \text{Yes} \\ \text{Yes} \end{matrix}$ New, S:Old $\begin{matrix} \leftarrow \text{No} \\ \text{No} \end{matrix}$ New, W:Add, Z:Discontinued, F:Interchangeable by set, K:Q'ty Change

Fig.39. TOOLS & ACCESSORIES

(A)=MC930-PQ
(B)=
(C)=

(D)=
(E)=
(F)=

| No. | Lev. | Parts No. | Description | Q'ty | | | | | | I | R |
|-----|------|--------------|------------------|------|-----|-----|-----|-----|-----|---|---|
| | | | | (A) | (B) | (C) | (D) | (E) | (F) | | |
| 1 | 1 | 1E5550-00120 | DRIVER,SCREW | 1 | | | | | | | |
| 2 | 1 | 1E3260-00070 | SPANNER,BOX | 1 | | | | | | | |
| 3 | 1 | 1N3504-95110 | INSTRUCTION BOOK | 1 | | | | | | | |

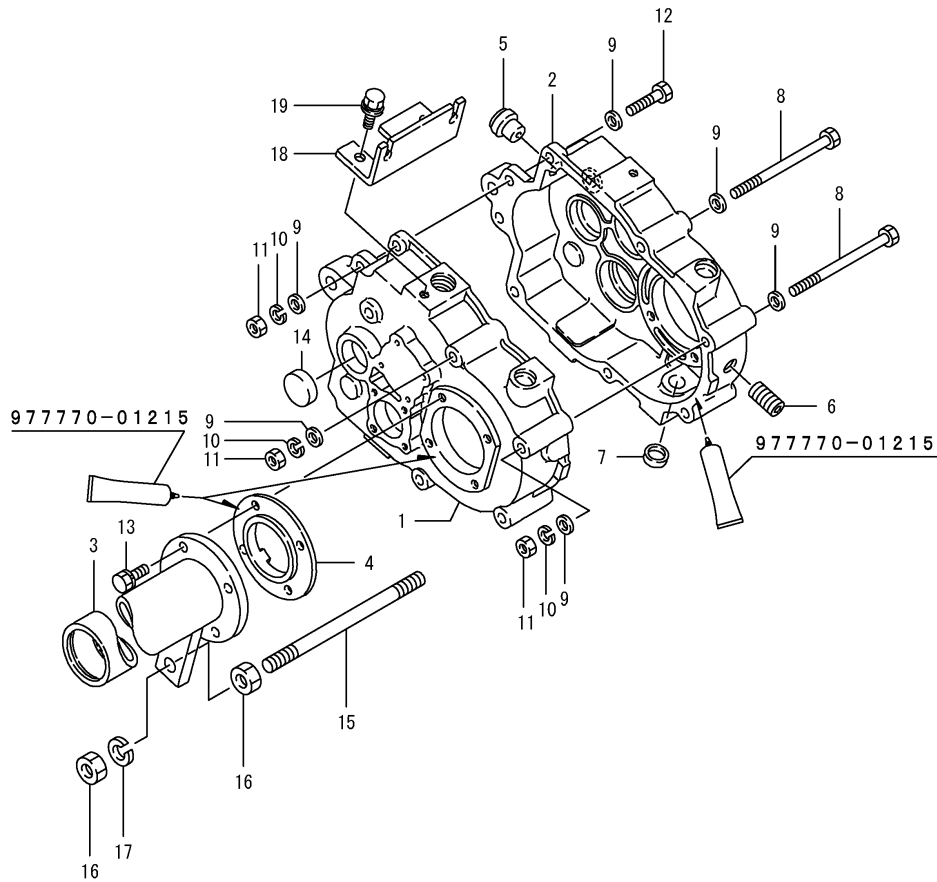


Remarks
*1. Accessory.

Fig.40. MISSION CASE

(A)=FT25-22F
(B)=
(C)=

(D)=
(E)=
(F)=



| No. | Lev. | Parts No. | Description | Q'ty | | | | | | I | R |
|-----|------|--------------|---------------------|------|-----|-----|-----|-----|-----|---|---|
| | | | | (A) | (B) | (C) | (D) | (E) | (F) | | |
| 1 | 1 | 1N3500-24000 | CASE L,TRANSMISSION | 1 | | | | | | | |
| 2 | 1 | 1N3504-24010 | CASE R,TRANSMISSION | 1 | | | | | | | |
| 3 | 1 | 1N3504-24000 | HOLDER,AXLE | 2 | | | | | | | |
| 4 | 1 | 1N3503-24020 | TINE,CLUTCH | 2 | | | | | | | |
| 5 | 1 | 1N1291-24070 | PLUG,HOLED OIL | 1 | | | | | | | |
| 6 | 1 | 1N3530-24060 | PLUG PT1/4,DRAIN | 1 | | | | | | | |
| 7 | 1 | 1N1430-24080 | CAP,SEAL | 2 | | | | | | | |
| 8 | 1 | 26117-081102 | BOLT M 8X110 PLATED | 4 | | | | | | | |
| 9 | 1 | 22137-080000 | WASHER, 8 | 16 | | | | | | | |
| 10 | 1 | 22217-080000 | WASHER, SPRING 8 | 8 | | | | | | | |
| 11 | 1 | 26717-080002 | NUT, M8 | 8 | | | | | | | |
| 12 | 1 | 26117-080352 | BOLT M 8X 35 PLATED | 4 | | | | | | | |
| 13 | 1 | 26016-080204 | BOLT M 8X 20 | 8 | | | | | | | |
| 14 | 1 | 1N1430-24000 | PLUG, BLIND | 1 | | | | | | | |
| 15 | 1 | 1N1296-24020 | SCREW M12X180 | 1 | | | | | | | |
| 16 | 1 | 26717-120002 | NUT, M12 | 4 | | | | | | | |
| 17 | 1 | 22217-120000 | WASHER, SPRING 12 | 2 | | | | | | | |
| 18 | 1 | 1N3500-24030 | BRACKET, OUTER | 1 | | | | | | | |
| 19 | 1 | 26016-080164 | BOLT M 8X 16 | 2 | | | | | | | |

Remarks
* 7N3504-20000 MISSION ASSY.
(FT25-22F)

Fig.41. MAIN AXIS

(A)=FT25-22F
(B)=
(C)=

(D)=
(E)=
(F)=

| No. | Lev. | Parts No. | Description | Qty | | | | | | I | R |
|-----|------|--------------|--------------------|-----|-----|-----|-----|-----|-----|---|---|
| | | | | (A) | (B) | (C) | (D) | (E) | (F) | | |
| 1 | 1 | 1N1291-25310 | SHAFT KW2,INPUT | 1 | | | | | | | |
| 2 | 1 | 1N3504-25050 | GEAR 16-19 | 1 | | | | | | | |
| 3 | 1 | 24421-173007 | SEAL, OIL TC173007 | 1 | | | | | | | |
| 4 | 1 | 24101-062024 | BEARING, BALL 6202 | 1 | | | | | | | |
| 5 | 1 | 1N1430-25090 | COLLAR | 1 | | | | | | | |
| 6 | 1 | 24101-062024 | BEARING, BALL 6202 | 1 | | | | | | | |

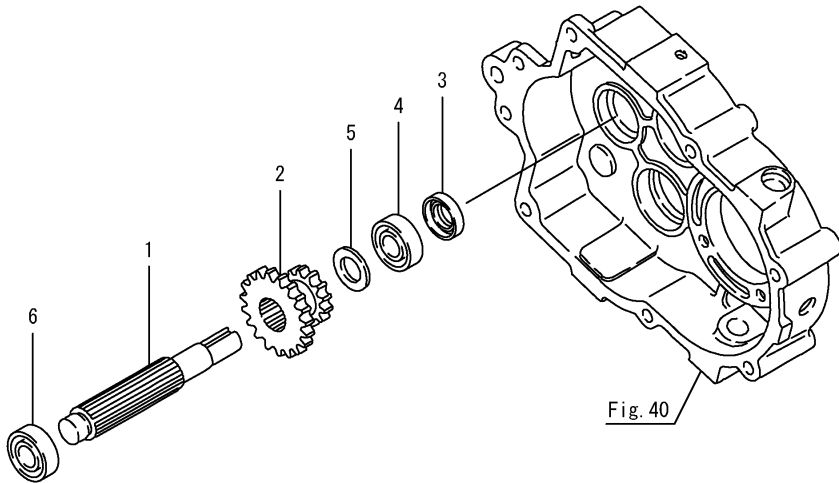


Fig. 40

Fig.42. MISSION AXIS B

(A)=FT25-22F
(B)=
(C)=

(D)=
(E)=
(F)=

| No. | Lev. | Parts No. | Description | Q'ty | | | | | | I | R |
|-----|------|--------------|---------------------|------|-----|-----|-----|-----|-----|---|---|
| | | | | (A) | (B) | (C) | (D) | (E) | (F) | | |
| 1 | 1 | 1N3504-25000 | SHAFT, 2ND | 1 | | | | | | | |
| 2 | 1 | 1N3504-25010 | GEAR 31 | 1 | | | | | | | |
| 3 | 1 | 1N3504-25060 | GEAR 41 | 1 | | | | | | | |
| 4 | 1 | 1N3504-25070 | GEAR 38 | 1 | | | | | | | |
| 5 | 1 | 1N1291-25040 | GEAR 16 | 1 | | | | | | | |
| 6 | 1 | 24101-062034 | BEARING, BALL 6203 | 2 | | | | | | | |
| 7 | 1 | 1N1291-25050 | COLLAR 20.5X26X11 | 1 | | | | | | | |
| 8 | 1 | 1N1291-25060 | COLLAR 20.2X27.2X33 | 1 | | | | | | | |
| 9 | 1 | 1N1430-25090 | COLLAR | 2 | | | | | | | |
| 10 | 1 | 24421-173507 | SEAL, OIL TC173507 | 1 | | | | | | | |

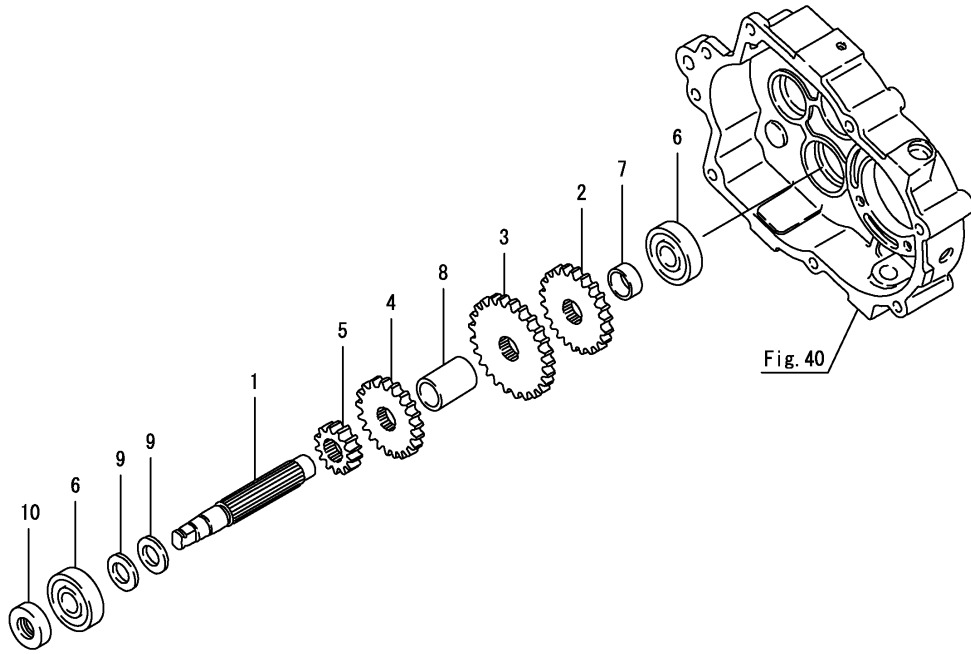
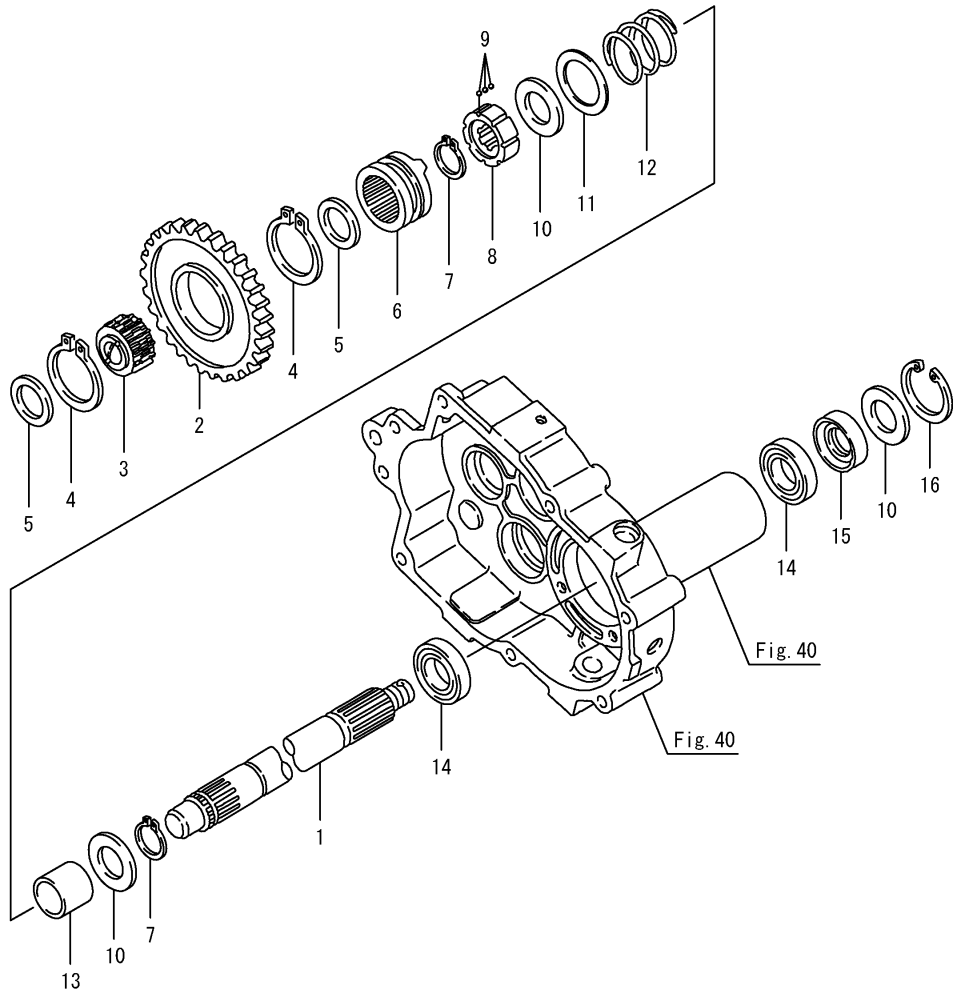


Fig.44. AXLE



(A)=FT25-22F
(B)=
(C)=

(D)=
(E)=
(F)=

| No. | Lev. | Parts No. | Description | Q'ty | | | | | | I | R |
|-----|------|--------------|----------------------|------|-----|-----|-----|-----|-----|---|---|
| | | | | (A) | (B) | (C) | (D) | (E) | (F) | | |
| 1 | 1 | 1N3504-25030 | SHAFT | 2 | | | | | | | |
| 2 | 1 | 1N1291-25100 | GEAR 44 | 1 | | | | | | | |
| 3 | 1 | 1N1291-25110 | GEAR 28,CLUTCH | 1 | | | | | | | |
| 4 | 1 | 22242-000500 | RING, 50 | 2 | | | | | | | |
| 5 | 1 | 1N1291-25120 | PLATE,BALL SUPPORTG | 2 | | | | | | | |
| 6 | 1 | 1N1291-25135 | GEAR 28,SIDE CLUTCH | 2 | | | | | | | |
| 7 | 1 | 22242-000250 | RING, 25 | 4 | | | | | | | |
| 8 | 1 | 1N1291-25140 | BOSS,DRIVE | 2 | | | | | | | |
| 9 | 1 | 1N1291-25150 | BALL 4,STEEL | 42 | | | | | | | |
| 10 | 1 | 1N1291-25200 | COVER,OIL SEAL | 6 | | | | | | | |
| 11 | 1 | 1N1291-25170 | LINER 2.0X35.5X50 | 2 | | | | | | | |
| 12 | 1 | 1N1291-25180 | SPRING,CLUTCH | 2 | | | | | | | |
| 13 | 1 | 1N1291-25190 | COLLAR 25.2X31.8X27. | 2 | | | | | | | |
| 14 | 1 | 24101-060054 | BEARING, BALL 6005 | 4 | | | | | | | |
| 15 | 1 | 24421-254708 | SEAL, OIL TC254708 | 2 | | | | | | | |
| 16 | 1 | 22252-000470 | RING, 47 | 2 | | | | | | | |

Fig.45. BRAKE

(A)=FT25-22F
(B)=
(C)=

(D)=
(E)=
(F)=

| No. | Lev. | Parts No. | Description | Q'ty | | | | | | I | R |
|-----|------|--------------|---------------------|------|-----|-----|-----|-----|-----|---|---|
| | | | | (A) | (B) | (C) | (D) | (E) | (F) | | |
| 1 | 1 | 1N3503-25220 | MOUNT,BRAKE | 1 | | | | | | | |
| 2 | 1 | 26557-060122 | SCREW, M6X12 | 4 | | | | | | | |
| 3 | 1 | 22217-060000 | WASHER, SPRING 6 | 4 | | | | | | | |
| 4 | 1 | 1N3503-25230 | DRUM, BREAK | 1 | | | | | | | |
| 5 | 1 | 22242-000140 | RING, 14 | 1 | | | | | | | |
| 6 | 1 | 1N1291-25230 | PACKING,BRAKE PLATE | 1 | | | | | | | |
| 7 | 1 | 1N3504-25040 | PLATE COMP.,BRAKE | 1 | | | | | | | |
| 8 | 1 | 7N3503-25000 | BRAKE SHOE ASSY. | 1 | | | | | | | |
| 9 | 1 | 26016-060124 | BOLT 6X12 W/L.W. | 3 | | | | | | | |

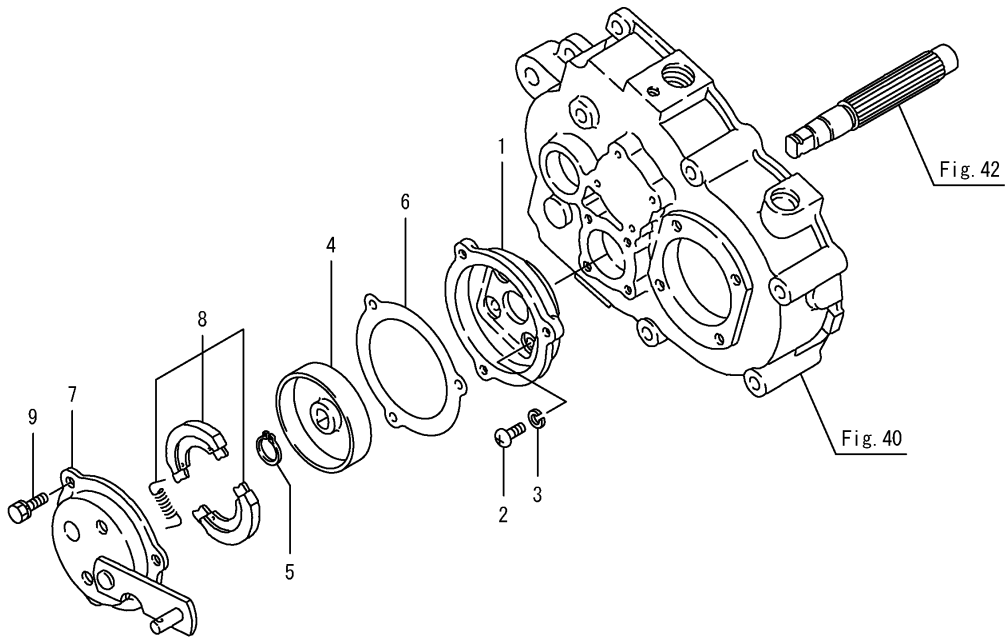
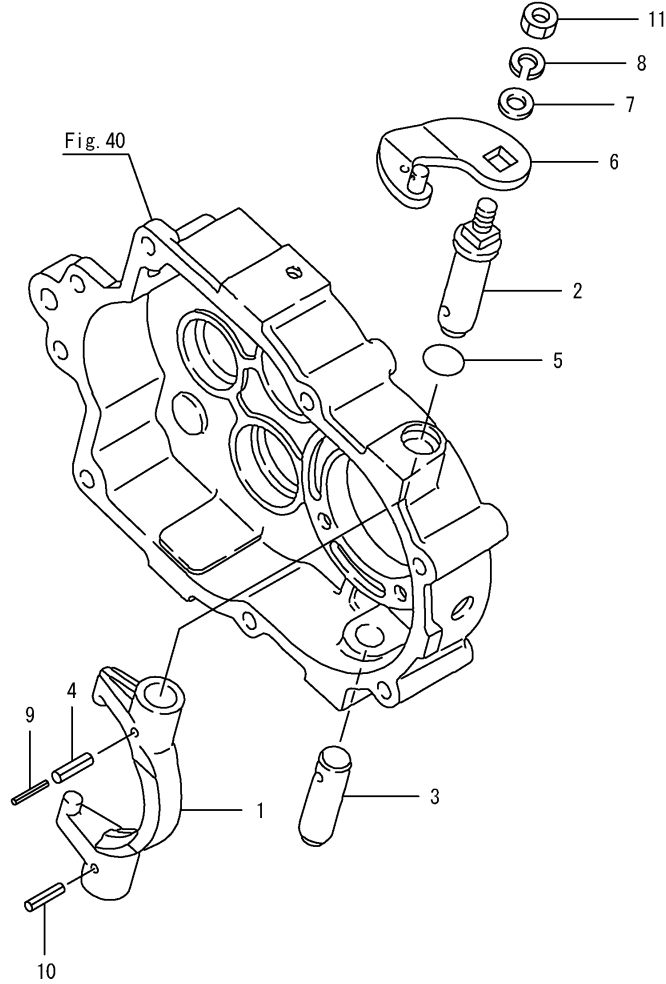


Fig.46. SIDE CLUTCH

(A)=FT25-22F
(B)=
(C)=

(D)=
(E)=
(F)=



| No. | Lev. | Parts No. | Description | Q'ty | | | | | | I | R |
|-----|------|--------------|----------------------|------|-----|-----|-----|-----|-----|---|---|
| | | | | (A) | (B) | (C) | (D) | (E) | (F) | | |
| 1 | 1 | 1N3503-25180 | LEVER | 2 | | | | | | | |
| 2 | 1 | 1N3503-25190 | PIN,SHIFT LEVER UPPR | 2 | | | | | | | |
| 3 | 1 | 1N1296-25070 | PIN,SHIFT LEVER LOWR | 2 | | | | | | | |
| 4 | 1 | 22351-060022 | PIN, SPRING 6.0X22 | 2 | | | | | | | |
| 5 | 1 | 24311-000140 | O-RING, 1AP14.0 | 2 | | | | | | | |
| 6 | 1 | 1N3503-25210 | SIDE CLUTCH LEVER | 2 | | | | | | | |
| 7 | 1 | 22137-080000 | WASHER, 8 | 2 | | | | | | | |
| 8 | 1 | 22217-080000 | WASHER, SPRING 8 | 2 | | | | | | | |
| 9 | 1 | 22351-035022 | PIN, SPRING 3.5X22 | 2 | | | | | | | |
| 10 | 1 | 1N3503-25310 | PIN,ROLL 5X22 | 2 | | | | | | | |
| 11 | 1 | 26717-080002 | NUT, M8 | 2 | | | | | | | |

Parts No. Index

| Parts No. | Fig. No. | Ref. No. |
|--------------|----------|----------|
| 1A0023-00050 | 15 | 9 |
| | 38 | 9 |
| 1E1100-21230 | 14 | 11 |
| 1E1102-71190 | 5 | 11 |
| | 29 | 25 |
| 1E1103-31250 | 14 | 2 |
| 1E1107-62000 | 34 | 18 |
| 1E1107-62040 | 5 | 25 |
| | 29 | 24 |
| 1E1116-47090 | 4 | 11 |
| | 28 | 11 |
| | 29 | 26 |
| 1E1140-51040 | 10 | 1 |
| | 35 | 1 |
| 1E3260-00070 | 16 | 2 |
| | 39 | 2 |
| 1E5550-00120 | 16 | 1 |
| | 39 | 1 |
| 1N1090-21010 | 2 | 28 |
| 1N1090-61030 | 12 | 3 |
| 1N1091-36000 | 5 | 7 |
| 1N1101-36041 | 29 | 7 |
| 1N1101-44040 | 1 | 8 |
| 1N1150-25010 | 24 | 7 |
| | 47 | 7 |
| 1N1151-53000 | 9 | 6 |
| | 33 | 6 |
| 1N1151-53020 | 13 | 7 |
| | 34 | 7 |
| 1N1185-53000 | 3 | 16 |
| 1N1190-45000 | 1 | 6 |
| | 13 | 28 |
| | 25 | 11 |
| | 37 | 33 |
| 1N1210-16060 | 11 | 4 |
| 1N1210-42040 | 8 | 4 |
| | 32 | 4 |
| 1N1215-51000 | 13 | 25 |
| | 37 | 30 |
| 1N1215-61001 | 12 | 6 |
| 1N1216-44010 | 11 | 14 |
| | 34 | 2 |
| 1N1240-21040 | 2 | 4 |
| 1N1285-61000 | 11 | 17 |
| 1N1286-61110 | 12 | 2 |
| | | 4 |
| 1N1291-22020 | 2 | 7 |
| 1N1291-24070 | 40 | 5 |
| 1N1291-25040 | 42 | 5 |
| 1N1291-25050 | 42 | 7 |

| Parts No. | Fig. No. | Ref. No. |
|--------------|----------|----------|
| 1N1291-25060 | 42 | 8 |
| 1N1291-25070 | 43 | 1 |
| 1N1291-25080 | 43 | 6 |
| 1N1291-25100 | 44 | 2 |
| 1N1291-25110 | 21 | 4 |
| | 44 | 3 |
| 1N1291-25120 | 21 | 6 |
| | 44 | 5 |
| 1N1291-25135 | 21 | 7 |
| | 44 | 6 |
| 1N1291-25140 | 21 | 9 |
| | 44 | 8 |
| 1N1291-25150 | 21 | 10 |
| | 44 | 9 |
| 1N1291-25170 | 21 | 12 |
| | 44 | 11 |
| 1N1291-25180 | 21 | 13 |
| | 44 | 12 |
| 1N1291-25190 | 21 | 14 |
| | 44 | 13 |
| 1N1291-25200 | 21 | 11 |
| | 44 | 10 |
| 1N1291-25230 | 22 | 6 |
| | 45 | 6 |
| 1N1291-25310 | 41 | 1 |
| 1N1291-26000 | 47 | 1 |
| 1N1291-26010 | 47 | 2 |
| 1N1291-26030 | 24 | 4 |
| | 47 | 4 |
| 1N1291-26040 | 24 | 6 |
| | 47 | 8 |
| 1N1296-24020 | 17 | 16 |
| | 40 | 15 |
| 1N1296-25070 | 23 | 3 |
| | 46 | 3 |
| 1N1313-44001 | 6 | 2 |
| | 30 | 2 |
| 1N1313-93030 | 15 | 1 |
| | 38 | 1 |
| 1N1340-42040 | 34 | 8 |
| 1N1360-22090 | 37 | 36 |
| 1N1367-93120 | 15 | 6 |
| 1N1386-45130 | 11 | 16 |
| 1N1430-22070 | 1 | 2 |
| | 25 | 3 |
| 1N1430-24000 | 17 | 15 |
| | 40 | 14 |
| 1N1430-24080 | 17 | 8 |
| | 40 | 7 |
| 1N1430-25090 | 41 | 5 |

| Parts No. | Fig. No. | Ref. No. |
|--------------|----------|----------|
| 1N1430-25090 | 42 | 9 |
| | 43 | 5 |
| 1N1430-26030 | 47 | 6 |
| 1N1432-44000 | 9 | 2 |
| | 33 | 2 |
| 1N1520-53020 | 13 | 4 |
| 1N1526-61040 | 12 | 11 |
| 1N1540-66240 | 37 | 11 |
| 1N1723-31360 | 7 | 9 |
| | 36 | 1 |
| 1N3500-24000 | 40 | 1 |
| 1N3500-24030 | 17 | 19 |
| | 40 | 18 |
| 1N3500-61010 | 12 | 1 |
| 1N3501-35020 | 5 | 3 |
| 1N3501-35030 | 5 | 17 |
| | 29 | 16 |
| 1N3501-36010 | 5 | 2 |
| 1N3501-65000 | 37 | 24 |
| 1N3501-65130 | 13 | 3 |
| 1N3501-65150 | 13 | 2 |
| 1N3501-65160 | 13 | 5 |
| 1N3502-21020 | 26 | 13 |
| 1N3502-22170 | 26 | 4 |
| 1N3503-16000 | 2 | 15 |
| | 26 | 18 |
| 1N3503-16020 | 2 | 27 |
| 1N3503-21020 | 2 | 9 |
| 1N3503-22050 | 2 | 12 |
| 1N3503-24000 | 17 | 3 |
| 1N3503-24010 | 17 | 4 |
| 1N3503-24020 | 17 | 5 |
| | 40 | 4 |
| 1N3503-24040 | 17 | 6 |
| 1N3503-25000 | 18 | 1 |
| 1N3503-25010 | 18 | 2 |
| 1N3503-25020 | 18 | 5 |
| 1N3503-25030 | 19 | 1 |
| 1N3503-25040 | 19 | 2 |
| 1N3503-25050 | 19 | 3 |
| 1N3503-25060 | 19 | 4 |
| 1N3503-25070 | 19 | 5 |
| 1N3503-25080 | 19 | 7 |
| 1N3503-25090 | 19 | 8 |
| 1N3503-25100 | 19 | 9 |
| 1N3503-25110 | 20 | 1 |
| 1N3503-25120 | 20 | 2 |
| 1N3503-25130 | 20 | 4 |
| 1N3503-25140 | 20 | 5 |
| 1N3503-25150 | 21 | 1 |

| Parts No. | Fig. No. | Ref. No. |
|--------------|----------|----------|
| 1N3503-25160 | 21 | 2 |
| 1N3503-25170 | 21 | 3 |
| 1N3503-25180 | 23 | 1 |
| | 46 | 1 |
| 1N3503-25190 | 23 | 2 |
| | 46 | 2 |
| 1N3503-25210 | 23 | 6 |
| | 46 | 6 |
| 1N3503-25220 | 22 | 1 |
| | 45 | 1 |
| 1N3503-25230 | 22 | 4 |
| | 45 | 4 |
| 1N3503-25240 | 22 | 9 |
| 1N3503-25250 | 22 | 7 |
| 1N3503-25260 | 18 | 7 |
| 1N3503-25270 | 20 | 7 |
| 1N3503-25280 | 19 | 11 |
| 1N3503-25300 | 20 | 8 |
| 1N3503-25310 | 23 | 10 |
| | 46 | 10 |
| 1N3503-26000 | 24 | 1 |
| 1N3503-26010 | 24 | 2 |
| 1N3503-26020 | 24 | 3 |
| 1N3503-35060 | 5 | 12 |
| | 29 | 11 |
| 1N3503-35070 | 4 | 2 |
| | 28 | 2 |
| 1N3503-35080 | 4 | 15 |
| 1N3503-36000 | 29 | 22 |
| 1N3503-37000 | 4 | 7 |
| | 28 | 7 |
| 1N3503-42001 | 7 | 1 |
| | 31 | 1 |
| 1N3503-42040 | 7 | 10 |
| | 36 | 2 |
| 1N3503-42071 | 7 | 17 |
| | 36 | 9 |
| 1N3503-44000 | 13 | 31 |
| | 14 | 10 |
| | 37 | 51 |
| 1N3503-44010 | 13 | 22 |
| | 37 | 22 |
| 1N3503-45060 | 11 | 13 |
| 1N3503-45090 | 11 | 18 |
| 1N3503-47001 | 6 | 1 |
| | 30 | 1 |
| 1N3503-51010 | 6 | 4 |
| | 30 | 6 |
| 1N3503-51050 | 13 | 23 |
| | 37 | 28 |

Parts No. Index

| Parts No. | Fig. No. | Ref. No. |
|--------------|----------|----------|
| 1N3503-51060 | 13 | 21 |
| | 37 | 23 |
| 1N3503-51101 | 35 | 3 |
| 1N3503-51180 | 10 | 6 |
| 1N3503-51190 | 10 | 3 |
| 1N3503-51200 | 6 | 5 |
| 1N3503-53000 | 8 | 3 |
| | 32 | 3 |
| 1N3503-53010 | 7 | 5 |
| | 31 | 5 |
| 1N3503-53020 | 7 | 4 |
| | 31 | 4 |
| 1N3503-53030 | 8 | 7 |
| | 32 | 7 |
| | 34 | 15 |
| 1N3503-53050 | 37 | 45 |
| 1N3503-54001 | 3 | 12 |
| 1N3503-54090 | 3 | 19 |
| 1N3503-54100 | 11 | 11 |
| 1N3503-54110 | 3 | 22 |
| 1N3503-58021 | 3 | 8 |
| 1N3503-58040 | 3 | 9 |
| 1N3503-58120 | 2 | 20 |
| | 26 | 23 |
| 1N3503-58130 | 2 | 18 |
| 1N3503-58160 | 3 | 20 |
| 1N3503-58190 | 2 | 24 |
| 1N3503-61000 | 12 | 10 |
| 1N3503-64140 | 13 | 24 |
| | 37 | 29 |
| 1N3503-64420 | 13 | 30 |
| | 14 | 9 |
| | 37 | 50 |
| 1N3503-64910 | 37 | 37 |
| 1N3503-64920 | 37 | 5 |
| 1N3503-64930 | 37 | 4 |
| 1N3503-64970 | 37 | 35 |
| 1N3503-65370 | 37 | 3 |
| 1N3503-65380 | 37 | 2 |
| 1N3503-66220 | 13 | 13 |
| | 37 | 19 |
| 1N3503-66230 | 13 | 14 |
| | 37 | 20 |
| 1N3503-66350 | 37 | 15 |
| 1N3503-66370 | 37 | 18 |
| 1N3503-66380 | 37 | 10 |
| 1N3503-66440 | 13 | 9 |
| 1N3503-66460 | 13 | 12 |
| 1N3503-68140 | 14 | 1 |
| 1N3503-74010 | 37 | 1 |

| Parts No. | Fig. No. | Ref. No. |
|--------------|----------|----------|
| 1N3503-74180 | 13 | 20 |
| | 37 | 21 |
| 1N3503-74300 | 13 | 1 |
| 1N3503-93140 | 15 | 7 |
| 1N3503-93190 | 15 | 4 |
| | 38 | 4 |
| 1N3503-93450 | 15 | 10 |
| 1N3503-93460 | 15 | 5 |
| 1N3503-95110 | 16 | 3 |
| 1N3504-21000 | 26 | 1 |
| 1N3504-21010 | 26 | 3 |
| 1N3504-22000 | 26 | 14 |
| 1N3504-22010 | 26 | 16 |
| 1N3504-22030 | 26 | 7 |
| 1N3504-22070 | 26 | 9 |
| 1N3504-22080 | 26 | 11 |
| 1N3504-22100 | 25 | 1 |
| 1N3504-22140 | 25 | 2 |
| 1N3504-22170 | 34 | 12 |
| 1N3504-22220 | 34 | 20 |
| 1N3504-22240 | 34 | 13 |
| 1N3504-24000 | 40 | 3 |
| 1N3504-24010 | 40 | 2 |
| 1N3504-25000 | 42 | 1 |
| 1N3504-25010 | 42 | 2 |
| 1N3504-25020 | 43 | 2 |
| 1N3504-25030 | 44 | 1 |
| 1N3504-25040 | 45 | 7 |
| 1N3504-25050 | 41 | 2 |
| 1N3504-25060 | 42 | 3 |
| 1N3504-25070 | 42 | 4 |
| 1N3504-26000 | 47 | 3 |
| 1N3504-31001 | 27 | 1 |
| 1N3504-35000 | 28 | 8 |
| 1N3504-41020 | 34 | 11 |
| 1N3504-41080 | 34 | 3 |
| 1N3504-41120 | 34 | 1 |
| 1N3504-41140 | 33 | 1 |
| 1N3504-45100 | 11 | 8 |
| 1N3504-51000 | 31 | 6 |
| 1N3504-51010 | 32 | 1 |
| 1N3504-53000 | 5 | 13 |
| | 29 | 12 |
| 1N3504-54000 | 27 | 2 |
| 1N3504-54071 | 27 | 3 |
| 1N3504-58000 | 27 | 11 |
| 1N3504-58020 | 26 | 22 |
| 1N3504-58030 | 26 | 21 |
| 1N3504-58061 | 27 | 8 |
| 1N3504-58070 | 27 | 9 |

| Parts No. | Fig. No. | Ref. No. |
|--------------|----------|----------|
| 1N3504-58160 | 27 | 14 |
| 1N3504-58180 | 27 | 17 |
| 1N3504-64000 | 13 | 33 |
| | 37 | 44 |
| 1N3504-64020 | 13 | 36 |
| | 37 | 47 |
| 1N3504-64030 | 37 | 49 |
| 1N3504-93180 | 15 | 8 |
| | 38 | 8 |
| 1N3504-93230 | 38 | 10 |
| 1N3504-93240 | 38 | 5 |
| 1N3504-93250 | 38 | 7 |
| 1N3504-95110 | 39 | 3 |
| 1N3505-21020 | 11 | 2 |
| 1N3505-33040 | 5 | 24 |
| | 29 | 23 |
| 1N3506-35020 | 4 | 6 |
| | 28 | 6 |
| 1N3506-93260 | 15 | 2 |
| | 38 | 2 |
| 1N3506-93320 | 38 | 6 |
| 1N3507-93160 | 15 | 3 |
| | 38 | 3 |
| 1N3512-61040 | 12 | 5 |
| 1N3513-42160 | 7 | 8 |
| | 8 | 6 |
| | 10 | 5 |
| | 13 | 38 |
| | 31 | 8 |
| | 32 | 6 |
| | 35 | 5 |
| | 37 | 26 |
| 1N3514-22000 | 25 | 7 |
| 1N3514-42440 | 25 | 8 |
| 1N3520-35020 | 29 | 8 |
| 1N3520-36230 | 29 | 3 |
| 1N3520-58190 | 2 | 25 |
| 1N3530-24060 | 17 | 7 |
| | 40 | 6 |
| 1N3542-65050 | 37 | 7 |
| 1N3544-61020 | 12 | 9 |
| 1N3560-21010 | 2 | 3 |
| 1N3561-51070 | 30 | 7 |
| 1N3563-36010 | 29 | 4 |
| 1N3563-93020 | 15 | 11 |
| | 38 | 11 |
| 1N3563-93050 | 15 | 12 |
| | 38 | 12 |
| 1N3565-21010 | 2 | 1 |
| 1N3565-22000 | 1 | 1 |

| Parts No. | Fig. No. | Ref. No. |
|--------------|----------|----------|
| 1N3565-24000 | 17 | 1 |
| 1N3565-24010 | 17 | 2 |
| 1N3565-31201 | 3 | 1 |
| 1N3565-31240 | 3 | 11 |
| 1N3565-35000 | 4 | 8 |
| 1N3565-36000 | 5 | 23 |
| 1N3565-41050 | 9 | 1 |
| 1N3565-41080 | 9 | 5 |
| | 33 | 5 |
| 1N3565-51000 | 7 | 6 |
| 1N3565-51010 | 8 | 1 |
| 1N3565-54000 | 3 | 3 |
| 1N3565-54020 | 3 | 2 |
| 1N3565-54030 | 3 | 18 |
| 1N3565-58000 | 2 | 19 |
| 1N3565-58050 | 2 | 23 |
| 1N3565-58071 | 3 | 23 |
| 1N3565-58101 | 3 | 21 |
| 1N3565-58121 | 3 | 15 |
| 1N3569-42000 | 13 | 27 |
| | 37 | 32 |
| 1N3580-16000 | 2 | 26 |
| 22137-060000 | 13 | 26 |
| | 22 | 11 |
| | 37 | 31 |
| 22137-080000 | 2 | 13 |
| | | 16 |
| | 7 | 7 |
| | 8 | 5 |
| | 10 | 4 |
| | 13 | 34 |
| | 14 | 7 |
| | 17 | 10 |
| | 23 | 7 |
| | 26 | 19 |
| | 31 | 7 |
| | 32 | 5 |
| | 35 | 4 |
| | 36 | 4 |
| | 37 | 38 |
| | 40 | 9 |
| | 46 | 7 |
| 22137-100000 | 5 | 21 |
| | 7 | 2 |
| | | 18 |
| | 29 | 20 |
| | 31 | 2 |
| | 34 | 4 |
| | | 9 |
| | 36 | 11 |

Parts No. Index

| Parts No. | Fig. No. | Ref. No. |
|--------------|----------|----------|
| 22137-100000 | 37 | 13 |
| 22137-120000 | 4 | 13 |
| | 5 | 8 |
| | 25 | 9 |
| | 28 | 12 |
| | 29 | 9 |
| 22137-140000 | 3 | 6 |
| | 13 | 16 |
| | 27 | 6 |
| | 37 | 40 |
| 22137-160000 | 5 | 14 |
| | 14 | 3 |
| | 29 | 13 |
| 22137-180000 | 12 | 7 |
| 22217-060000 | 22 | 3 |
| | | 10 |
| | 45 | 3 |
| 22217-080000 | 17 | 11 |
| | 23 | 8 |
| | 40 | 10 |
| | 46 | 8 |
| 22217-100000 | 11 | 5 |
| 22217-120000 | 17 | 18 |
| | 40 | 17 |
| 22217-140000 | 3 | 5 |
| | 4 | 10 |
| | 13 | 18 |
| | 27 | 5 |
| | 28 | 10 |
| | 37 | 42 |
| 22217-160000 | 14 | 5 |
| 22242-000100 | 7 | 3 |
| | 8 | 2 |
| | 31 | 3 |
| | 32 | 2 |
| 22242-000140 | 22 | 5 |
| | 45 | 5 |
| 22242-000150 | 1 | 3 |
| | 5 | 5 |
| | 25 | 4 |
| 22242-000160 | 1 | 7 |
| | 13 | 29 |
| | 37 | 34 |
| 22242-000170 | 20 | 6 |
| | 43 | 4 |
| 22242-000180 | 25 | 12 |
| | 34 | 14 |
| 22242-000200 | 29 | 6 |
| 22242-000250 | 4 | 5 |
| | 21 | 8 |

| Parts No. | Fig. No. | Ref. No. |
|--------------|----------|----------|
| 22242-000250 | 28 | 5 |
| | 44 | 7 |
| 22242-000500 | 21 | 5 |
| | 44 | 4 |
| 22252-000350 | 1 | 5 |
| | 25 | 6 |
| 22252-000470 | 21 | 17 |
| | 44 | 16 |
| 22272-000070 | 37 | 6 |
| 22351-035022 | 23 | 9 |
| | 46 | 9 |
| 22351-035030 | 9 | 4 |
| | 33 | 4 |
| 22351-060022 | 23 | 4 |
| | 46 | 4 |
| 22351-060030 | 9 | 3 |
| | 33 | 3 |
| | 34 | 6 |
| 22360-080000 | 13 | 35 |
| | 37 | 46 |
| 22417-250200 | 7 | 16 |
| | 34 | 10 |
| | 36 | 10 |
| 22417-400300 | 12 | 8 |
| 22417-400400 | 5 | 16 |
| | 29 | 15 |
| 22550-050180 | 11 | 7 |
| 22550-050201 | 2 | 6 |
| 22550-050251 | 26 | 6 |
| 24101-060024 | 5 | 4 |
| 24101-060034 | 18 | 6 |
| 24101-060044 | 29 | 5 |
| 24101-060054 | 4 | 3 |
| | 21 | 15 |
| | 28 | 3 |
| | 44 | 14 |
| 24101-062024 | 18 | 4 |
| | 41 | 4 |
| | | 6 |
| 24101-062034 | 19 | 6 |
| | 20 | 3 |
| | 42 | 6 |
| | 43 | 3 |
| 24104-062024 | 1 | 4 |
| | 25 | 5 |
| 24311-000140 | 23 | 5 |
| | 24 | 5 |
| | 46 | 5 |
| | 47 | 9 |
| 24421-153007 | 18 | 3 |

| Parts No. | Fig. No. | Ref. No. |
|--------------|----------|----------|
| 24421-153206 | 5 | 6 |
| 24421-173007 | 41 | 3 |
| 24421-173507 | 19 | 10 |
| | 42 | 10 |
| 24421-254708 | 21 | 16 |
| | 44 | 15 |
| 24421-304707 | 4 | 4 |
| | 28 | 4 |
| 25113-001900 | 11 | 3 |
| 25123-002701 | 2 | 2 |
| 25123-002901 | 2 | 10 |
| 25123-003001 | 26 | 2 |
| 26014-060259 | 10 | 2 |
| | 35 | 2 |
| 26016-060124 | 45 | 9 |
| 26016-060164 | 2 | 5 |
| | 26 | 5 |
| 26016-080164 | 17 | 20 |
| | 40 | 19 |
| 26016-080204 | 17 | 14 |
| | 40 | 13 |
| 26018-060124 | 2 | 21 |
| | 3 | 10 |
| | 11 | 10 |
| | 26 | 24 |
| | 27 | 10 |
| | | 13 |
| | | 15 |
| 26018-060164 | 2 | 22 |
| | 3 | 24 |
| | 11 | 19 |
| | 12 | 12 |
| | 26 | 25 |
| | 27 | 18 |
| 26018-080164 | 2 | 8 |
| | 3 | 13 |
| | 26 | 10 |
| | 27 | 12 |
| 26018-080202 | 2 | 11 |
| | 7 | 14 |
| | 26 | 26 |
| 26018-080204 | 3 | 17 |
| | 11 | 9 |
| | 13 | 11 |
| | 26 | 8 |
| | | 12 |
| | | 17 |
| | 34 | 19 |
| | 36 | 7 |
| | 37 | 17 |

| Parts No. | Fig. No. | Ref. No. |
|--------------|----------|----------|
| 26018-080204 | 37 | 48 |
| 26018-080254 | 13 | 10 |
| | 26 | 15 |
| | 34 | 21 |
| | 37 | 16 |
| 26018-100254 | 3 | 7 |
| | 27 | 7 |
| | | 16 |
| 26051-060002 | 34 | 22 |
| 26051-080002 | 2 | 14 |
| | | 17 |
| | 13 | 32 |
| | 14 | 12 |
| | 26 | 20 |
| | 37 | 8 |
| 26051-100002 | 5 | 22 |
| | 11 | 15 |
| | 29 | 21 |
| | 37 | 25 |
| 26051-120002 | 5 | 9 |
| | 29 | 10 |
| 26052-100002 | 5 | 18 |
| | 29 | 17 |
| 26116-080552 | 7 | 11 |
| | 36 | 3 |
| 26117-060254 | 34 | 16 |
| 26117-080254 | 13 | 37 |
| | 37 | 52 |
| 26117-080304 | 14 | 8 |
| 26117-080352 | 17 | 13 |
| | 40 | 12 |
| 26117-080504 | 11 | 20 |
| 26117-081102 | 17 | 9 |
| | 40 | 8 |
| 26117-100204 | 11 | 6 |
| 26117-100254 | 6 | 6 |
| | 30 | 3 |
| | 37 | 12 |
| 26117-100702 | 5 | 20 |
| | 29 | 19 |
| 26117-120304 | 5 | 10 |
| 26117-140404 | 3 | 4 |
| | 27 | 4 |
| 26117-140902 | 13 | 15 |
| | 37 | 39 |
| 26117-141504 | 4 | 9 |
| | 28 | 9 |
| 26117-143102 | 4 | 12 |
| 26347-080002 | 7 | 12 |
| | 36 | 5 |

Parts No. Index

| Parts No. | Fig. No. | Ref. No. |
|--------------|----------|----------|
| 26347-100002 | 34 | 5 |
| | 37 | 14 |
| | 34 | 17 |
| 26367-060002 | 12 | 13 |
| | 34 | 17 |
| | 3 | 14 |
| | 7 | 15 |
| | 11 | 12 |
| 26557-060122 | 36 | 8 |
| | 37 | 53 |
| | 22 | 2 |
| 26647-100302 | 45 | 2 |
| | 13 | 8 |
| 26647-100352 | 13 | 6 |
| 26717-080002 | 17 | 12 |
| | 23 | 11 |
| | 40 | 11 |
| | 46 | 11 |
| 26717-100002 | 47 | 5 |
| 26717-120002 | 17 | 17 |
| | 40 | 16 |
| 26717-140002 | 13 | 17 |
| | 37 | 41 |
| 26717-160002 | 14 | 4 |
| 26757-080002 | 7 | 13 |
| | 11 | 21 |
| | 36 | 6 |
| | 37 | 9 |
| | 5 | 19 |
| 26757-100002 | 6 | 7 |
| | 29 | 18 |
| | 30 | 4 |
| | 37 | 27 |
| | 25 | 10 |
| | 4 | 14 |
| 26757-120002 | 13 | 19 |
| 26757-140002 | 28 | 13 |
| | 37 | 43 |
| | 14 | 6 |
| 26757-160002 | 5 | 15 |
| 26817-160002 | 29 | 14 |
| 7N1277-61000 | 11 | 1 |
| 7N3501-36000 | 5 | 1 |
| 7N3503-25000 | 22 | 8 |
| | 45 | 8 |
| 7N3503-35000 | 4 | 1 |
| | 28 | 1 |
| 7N3503-51050 | 6 | 3 |
| 7N3561-51000 | 30 | 5 |
| 7N3563-36000 | 29 | 2 |
| 7N3563-36010 | 29 | 1 |

| Parts No. | Fig. No. | Ref. No. |
|-----------|----------|----------|
|-----------|----------|----------|

| Parts No. | Fig. No. | Ref. No. |
|-----------|----------|----------|
|-----------|----------|----------|

| Parts No. | Fig. No. | Ref. No. |
|-----------|----------|----------|
|-----------|----------|----------|